

REVISION HISTORY			
REV	DESCRIPTION	DATE	DWN

<b>Pump Info:</b>	Apparatus Type: <b>Pumper</b>
Control Location: <b>Side</b>	Chassis: <b>SPARTAN METRO STAR MFD</b>
Pump Drive: <b>Split Shaft</b>	Tank Capacity: <b>750</b>
Pump Make: <b>Darley</b>	Material: <b>Stainless Steel</b>
Pump Model: <b>PSM</b>	
Pump GPM: <b>1500</b>	

COMPARTMENT DIMENSIONS	
COMP #	DOOR OPENING SIZES
L1 & R1	21" WIDE x 64" HIGH x 12"/25" DEEP
L2 & R2	54" WIDE x 31" HIGH x 12" DEEP
L3 & R3	48" WIDE x 64" HIGH x 12"/25" DEEP
REAR	34" WIDE x 22" HIGH x 21" DEEP

UNLESS OTHERWISE SPECIFIED DIMENSIONS ARE IN INCHES TOLERANCES ARE NOT CUMULATIVE  
 DECIMAL ±0.062 ANGULAR ±0.5° FRACTIONAL ±1/16 METRIC ±1.6 mm

**ALEXIS** FIRE EQUIPMENT CO.  
 P.O. BOX 549, ALEXIS, ILLINOIS 61412

**PHANTOM PUMPER**  
 ALEXIS FIRE EQUIPMENT  
 ALEXIS, IL

THE COPYRIGHT OF THIS DRAWING AND DESIGN AND THE RIGHT OF REPRODUCTION THERE IS VESTED IN AND BELONGS TO ALEXIS FIRE EQUIPMENT CO.

DRAWN: C.SHUCK	DATE: 5/9/24	SIZE: D	SCALE: 1/2" = 1'	DWG NO: PH-A06
MATERIAL:	CONTRACT #: 2634	SHEET: 1	OF: 2	



 Alexis Fire Equipment  
 109 East Broadway / Alexis, IL 61412  
 800-322-2284  sales@alexisfire.com  
 AlexisFire.com

Alexis Fire Equipment Company  
Alexis, IL

We hereby propose to furnish, after your acceptance, approval, and proper execution of the accompanying contract, the fire apparatus as follows:

One (1) Alexis Demo #2634 Side Control Phantom Pumper

As per specifications attached herewith.

TOTAL APPARATUS.....\$ \*

\* Does not include any applicable taxes. Any local or state tax, if applicable, must be added to the above price.

Shipment of completed apparatus shall be made within 550 calendar days after our approval of properly signed contract, subject to causes beyond our control. This proposal is made subject to your acceptance within thirty (30) days from date of same. If acceptance is delayed beyond that period, we will, upon request, advise you of any increase in said amount which may be occasioned by causes beyond our control.

Respectfully submitted,  
ALEXIS FIRE EQUIPMENT COMPANY

By: \_\_\_\_\_

"QUALITY HAS NO SUBSTITUTE"



 Alexis Fire Equipment  
109 East Broadway / Alexis, IL 61412  
 800-322-2284  sales@alexisfire.com  
 AlexisFire.com

### **PAYMENT TERMS**

The chassis payment shall be made within ten (10) days of invoicing.

A progress payment of \$ shall be made within ten (10) days of invoicing, upon the initial construction of the apparatus body. The front page price reflects a discount of \$ for this payment.

The balance of the contract plus any contract alterations shall be payable upon the delivery of the finished unit.

Upon payment, the Alexis Fire Equipment Company shall furnish the purchaser a "Statement of Origin" or the necessary validated documents required for title application.

*Additional payment terms available upon request.*



 Alexis Fire Equipment  
109 East Broadway / Alexis, IL 61412  
 800-322-2284  sales@alexisfire.com  
 AlexisFire.com

### **ISO 9001:**

Alexis Fire Equipment Company operates a Quality Management System under the requirements of ISO 9001. These standards, sponsored by the "International Organization for Standardization (ISO)," specify the quality systems that shall be established by the manufacturer for design, manufacture, installation and service.



 Alexis Fire Equipment  
109 East Broadway / Alexis, IL 61412  
 800-322-2284  sales@alexisfire.com  
 AlexisFire.com

## SERVICE CENTER:

The Alexis Priority-One service team is staffed with factory trained mechanics ready to meet your service requirements. Our staff is continually working on maintaining updated EVT and ASE certification.

The Alexis Service Team is available 24 hours a day, 7 days a week for your service emergencies. We use the latest paging system for fast, efficient and reliable service.

Our service facility covers an area of approximately 14,000 square feet.

The Alexis Service Team can assist you in fire apparatus service, ambulance service, aerial device maintenance, generator and rescue tool maintenance and service, and air pack inspections. Our staff can provide our customers with a complete apparatus training program, meeting the latest training requirements.

Alexis is a single source warranty center for the following manufacturers: Spartan Motors, Darley, Hale, and Waterous.

Our service team has over 50 years of cumulative experience in the fire service industry. In addition, they are backed by our fabrication, electrical, and paint and finish departments. This combination of training and hands-on experience offers true reliability and dependability.

Alexis keeps detailed documentation of all repair, maintenance, and inspection performed by our personnel. With time and manpower at such a premium among many fire departments, why not allow the Alexis Service Team to set up and maintain records for your fleet?

The Alexis Service Team is committed to providing prompt and courteous service, quality products and fair pricing.

Business: Alexis Fire Equipment Company  
Location: 109 East Broadway Alexis, IL 61412  
Phone: 800-322-2284



 Alexis Fire Equipment  
109 East Broadway / Alexis, IL 61412  
 800-322-2284  sales@alexisfire.com  
 AlexisFire.com

### **DELIVERY:**

The finished apparatus shall be picked up by the dealer organization at the plant site of the Alexis Fire Equipment Company in Alexis, Illinois.

To ensure proper break-in of all drive train components while under warranty, the finished apparatus shall be delivered to the purchaser under its own power.

The apparatus shall be covered by comprehensive and liability insurance during the delivery period. The purchaser shall assume the insurance obligation on acceptance, and at that time shall present to the manufacturer's agent a certificate of verification, showing liability, comprehensive and collision insurance coverage.



## **GENERAL INFORMATION:**

### **LOCATION**

The Alexis Fire Equipment facilities are located at 109 East Broadway, Alexis, Illinois 61412. We maintain a complete stock of parts and services available around-the-clock. We also propose to maintain parts and service for a minimum period of twenty (20) years on all apparatus which is manufactured.

### **NOTATION**

To further assure the customer of our ability to manufacture quality fire apparatus, we are proud of the fact that Alexis Fire Equipment Company is family-owned and has been in the fire apparatus business since 1947. All apparatus manufactured by Alexis Fire Equipment are designed and built to meet the requirements of the latest edition of NFPA 1901.

### **PERSONNEL CAPACITIES**

To meet the spirit of N.F.P.A. 1500 paragraph 6.3.1, this apparatus has been designed to transport not more than six (6) people.

#### 6.3 Riding in Fire Apparatus

6.3.1 All persons riding in fire apparatus shall be seated and belted securely to the vehicle by seat belts in approved riding positions and at any time the vehicle is in motion. Standing or riding on tailsteps, sidesteps, running boards or in any other exposed position shall be specifically prohibited.

### **MAXIMUM TOP SPEED:**

To meet the intent of NFPA 1901 4.15.2, the top speed of the vehicle shall not exceed 68 MPH or the manufacturer's maximum fire service speed rating for the tires installed on the apparatus, whichever is lower.

### **INFORMATION TO BE PROVIDED:**

Alexis Fire Equipment Company shall supply, at the time of delivery, the following documents:

- A) The manufacturer's record of apparatus construction details, including the following information:
1. Owner's name and address
  2. Apparatus manufacturer, model, and serial number.
  3. Chassis make, model, and serial number.
  4. GAWR of front and rear axles.
  5. Front tire size and total rated capacity in pounds.
  6. Rear tire size and total rated capacity in pounds.
  7. Chassis weight distribution in pounds with water and manufacturer mounted equipment.
  8. Engine make, model, serial number, number of cylinders, bore, stroke, displacement and compression ratio, rated horsepower and related speed, and no-load governed speed.
  9. Type of fuel and fuel tank capacity.
  10. Electrical system voltage and alternator output in amps.
  11. Battery make and model, capacity in CCA.
  12. Transmission make, model, and type.
  13. Pump to drive through the transmission (yes or no)
  14. Engine to pump gear ratio used
  15. Pump make, model, rated capacity in g.p.m., serial number, number of stages, and impeller diameter in inches.
  16. Pump transmission make, model, and serial number.
  17. Priming device type.
  18. Type of pump pressure control system.
  19. Auxiliary pump make, model, rated capacity in g.p.m., serial number, number of stages, and impeller diameter in inches.
  20. Water tank certified capacity in gallons.
  21. Aerial device type, rated vertical height in feet, rated horizontal reach in feet, and rated capacity in pounds.
  22. Paint numbers
  23. Company name and signature of responsible company executive.
- B) If the apparatus has a fire pump, the pump manufacturer's certification of suction capability.
- C) If the apparatus has a fire pump, a copy of the apparatus manufacturer's approval for stationary pumping applications.
- D) If the apparatus has a fire pump, the engine manufacturer's certified brake horsepower curve for the engine furnished, showing the maximum no-load governed speed.
- E) If the apparatus has a fire pump, the pump manufacturer's certification of hydrostatic test.
- F) If the apparatus has a fire pump, the certification of inspection and test for the fire pump.
- G) If the apparatus has an aerial device, the certification of inspection and test for the aerial device.
- H) If the apparatus has an aerial device, all the technical information required for inspections to comply with NFPA.
- I) Weight documents from a certified scale - showing actual loading on the front axle, rear axle(s), and



overall vehicle (with the water tank full but without personnel, equipment, and hose) - shall be supplied with the completed vehicle.

- J) Written load analysis and results of the electrical system performance tests.
- K) If the apparatus is equipped with a water tank, the certification of water tank capacity.
- L) If the apparatus has a fire pump, two (2) copies of the pump operation and maintenance manual.
- M) Two (2) destination effective wiring diagrams.
- N) Copies of electrical and mechanical component manuals for equipment purchased on or with the apparatus.
- O) A sketch of the booster tank indicating all dimensions and baffle locations.
- P) If the apparatus has a pump, one (1) certification of third party test

## **WARRANTY:**

Alexis Fire Equipment Co., Inc. warrants each new piece of Alexis fire and rescue apparatus to be free from defects in material and workmanship under normal use and service. Our obligation under this warranty is limited to repairing or replacing, as the company may elect, any part or parts thereof which shall be returned to us with transportation charges prepaid, and as to which examination shall disclose to the company's satisfaction to have been defective, provided that such part, or parts shall be returned to us not later than two years after delivery of such vehicle. Such defective part or parts will be repaired or replaced free of charge and without charge for installation to the original purchaser. All water tanks will be warranted as stated herein and may have extended warranty as explained elsewhere in the Alexis Fire Equipment Co. Proposal.

This warranty will not apply:

1. To normal maintenance service or adjustments.
2. To any vehicle which shall have been repaired or altered outside of our factory, in any way so as, in our judgement, to affect its stability, nor which has been subject to misuse, negligence, or accident, nor to any vehicle made by us which shall have been operated at a speed exceeding the factory rated speed, or loaded beyond the factory rated load capacity.
3. To the chassis and associated equipment furnished with chassis, signaling device, generators, batteries or other trade accessories. These are usually warranted separately by their respective manufacturers.
4. To work performed by an outside service without prior authorization obtained from Alexis Fire Equipment.
5. To costs incurred from an outside service for non-warranty related items.



This warranty is in lieu of all other warranties, expressed or implied, and all other representations to the original purchaser and all other obligations or liabilities, including liability for incidental or consequential damages on the part of the company. We neither assume or authorize any other person to give or assume any other warranty or liability o the company’s behalf unless made or assumed in writing by the company.

Surety Bond, if required, will cover standard two-year warranty period only and will not cover any extended warranties allowed by Alexis Fire Equipment co. or other component manufacturers.

**LENGTH AND/OR HEIGHT LIMITATIONS:**

**OVERALL HEIGHT:**

There shall be no overall height restrictions.

**OVERALL LENGTH:**

There shall be no overall length restrictions.

**CHASSIS MODIFICATIONS:**

**MUD FLAPS:**

Each rear fender shall be extended with a black rubber mud flap, thus preventing splash and road debris from damaging the apparatus body.

**CHASSIS SUPPLIED WHEELS:**

The wheel finish on the apparatus shall remain as specified in the chassis specifications.

**LABELS:**

A permanent plate in the driving compartment shall specify the quantity and type of the following fluids used in the vehicle:

- Engine Oil
- Engine Coolant
- Chassis Transmission Fluid

- Pump Transmission Lubrication Fluid
- Pump Primer Fluid (if applicable)
- Drive Axle(s) Lubrication Fluid
- Air-Conditioning Refrigerant
- Air-Conditioning Lubrication Oil
- Power Steering Fluid
- Cab Tilt Mechanism Fluid
- Transfer Case Fluid
- Equipment Rack Fluid
- CAFS Air Compressor System Lubricant
- Generator System Lubricant
- Front Tire Cold Pressure
- Rear Tire Cold Pressure
- Maximum Tire Speed Ratings

A final manufacturer's certification of the GVWR or GCWR along with a certification of each GAWR, shall be supplied on a label affixed to the vehicle.

A sign that reads "Occupants Must Be Seated and Belted When Apparatus Is in Motion" shall be provided. The sign shall be visible from each seated position.

A label that states the number of personnel the vehicle is designed to carry shall be located in an area visible to the driver.

A sign stating the overall height of the vehicle in feet and inches, the overall length of the vehicle in feet and inches, and the GVWR in tons shall be provided and mounted. The sign shall be visible to the driver of the vehicle while seated.

A label stating "Do Not Wear Helmet While Seated" shall be visible from each seating position.

A label stating "All Equipment Stored in the cab shall be properly secured" shall be visible from each seating position.

A "Do Not Ride" label shall be visible near all stepping and standing surfaces

### **AIR LIMITER:**

A limiter valve shall be installed on the chassis air reserve tank, eliminating the use of all air accessories when the chassis air pressure is under 100 psi, thus reserving all available air for braking effort.

## **HELMET STORAGE:**

To meet the intent of NFPA 14.1.8.4.1, the helmet for each occupant shall be stored in an exterior compartment.

## **PUMP AND PIPING:**

### **DARLEY PSM 1500 SPLIT SHAFT PUMPING SYSTEM:**

MANUFACTURER: DARLEY  
MODEL: PSM 1500  
CAPACITY:1500 gpm at 150 psi

A Darley model PSM 1500 GPM single stage split-drive shaft driven fire pump shall be provided and installed.

The pump shall be midship mounted and designed to operate through an integral transmission, including a means for power selectivity to the driving axle or to the pump. The pump shall be driven by a driveline from the chassis transmission. The engine, transmission and driveline components shall provide sufficient horsepower and RPM to enable the pump to meet and exceed its rated performance.

The pump shall contain a cored heating jacket feature that, if selected, can be connected into the vehicle antifreeze system to protect the pump from freezing in cold climates, and to help reject engine heat from engine coolant, providing longer life for the engine.

#### Pump Shaft

The pump shaft shall be precision ground stainless steel with long wearing Chromium Oxide hard coating under the packing glands with a hardness level of #RC72. The shaft shall be splined to receive broached impeller hubs, for greater resistance to wear, torsional vibration, and torque imposed by engine, as well as ease of maintenance and repair.

The bearings provided shall be heavy duty, deep groove, radial type ball bearings. Sleeve bearings on any portion of the pump or transmission shall be prohibited due to wear, deflection, and alignment concerns. The bearings shall be protected at all openings from road dirt and water splash with oil seals and water slingers.

#### Impeller

The impeller shall be a high strength bronze alloy of mixed flow design, splined to the pump shaft for precision fit, durability, and ease of maintenance. Impeller shall be vacuum cast designed for maximum lift and highest capacity. The seal rings shall be renewable, double labyrinth, wrap around bronze type.

Impeller shaft oil seals shall be constructed to be free from steel components except for the internal lip spring. The impeller shaft oil seals shall carry a lifetime warranty against damage from corrosion from water and other fire-fighting fluids.

### Pump Transmission

The transmission case shall be heavy duty cast iron. A magnetic drain plug shall be provided. Transmission case shall include a dip stick for checking oil level. Transmission case interior shall be powder coated to reduce oil contamination. Transmission case shall be equipped with a removable plate for quick inspection of gears, shafts, and bearings inside the transmission.

The pump drive shaft shall be precision ground, heat treated alloy steel, with a minimum 2-1/2" x 10" spline. The net through-torque rating of the gearbox shall exceed 19,000 foot pounds. Gears shall be helical design, and shall be precision ground for quiet operation and extended life. The gears shall be manufactured from alloy steel and carburized for surface hardness and strength.

The pump clutch gear shall be a heat treated alloy-steel splined spur gear to engage either the pump drive gear or the truck drive shaft gear, and shall have bullet-nosed teeth to reduce the possibility of a butt-tooth condition. The pump clutch gear shall be separate from the main drive gear in order to maintain the greatest precision for driving the pump gear train. The pump transmission shall require no further lubrication beyond that provided by the intrinsic action of the gears, to reduce the likelihood of failure due to loss of auxiliary lubrication.

### Driveline Installation

The chassis drivelines shall be sized for intended application and torque requirements. The installation shall comply with driveline manufacturer's guidelines.

### Manuals

Two (2) manuals covering the fire pump transmission and selected options of the fire pump shall be provided with the apparatus.

### **PRIMING PUMP:**

A Trident Model #31.001.7 air operated priming system shall be installed. The unit shall be of all brass and stainless steel construction and designed for fire pumps of 1,250 GPM (4,600 LPM) or more. Due to corrosion exposure no aluminum or vanes shall be used in the primer design. The primer shall be three-barrel design with 3/4" NPT connection to the fire pump.

The primer shall be mounted above the pump impeller so that the priming line will automatically drain back to the pump. The primer shall also automatically drain when the panel control actuator is not in operation. The inlet side of the primer shall include a brass 'wye' type strainer with removable stainless steel fine mesh strainer to prevent entry of debris into the primer body.

### Performance, Safety, and NFPA Compliance

The priming system shall be capable to a vertical lift to 22 inches of mercury and shall be fully compliant to applicable NFPA standards for vertical lift. The system shall create vacuum by using air from the chassis air brake system through a three-barrel multi-stage internal "venturi nozzles" within the primer body. The noise level during operation of the primer shall not exceed 75 Db.

### Air Flow Requirements

The primer shall require a minimum of 15.6 cubic foot per minute air compressor and shall be capable of meeting drafting requirements at high idle engine speed. The air supply shall be from a chassis supplied 'protected' air storage tank with a pressure protection valve. The air supply line shall have a pressure protection valve set between 70 to 80 PSIG.

### Primer Control

The primer control shall have a manually operated, panel mounted "push to prime" air valve; which will direct air pressure from the air brake storage tank to the primer body. To prevent freezing, no water shall flow to and from the panel control.

### Power Requirements

To reduce the electrical power requirements on the fire apparatus the priming system shall be air powered. The system shall not require annual tear-down and maintenance, an electric motor or solenoid, electrical wiring, lubrication, belt drive, or clutch assembly.

### Warranty

The primer shall be covered by a five (5) year parts warranty.

## DRIVELINES:

The chassis drivelines shall be modified to accept the pump drivelines. The pumping system drivelines shall be manufactured by the apparatus manufacturer. The drivelines shall be professionally balanced by the apparatus manufacturer to ensure complete system balance.

## 6" SUCTION:

One (1) 6" NST suction shall be located on each side of the apparatus body. The suctions shall be open and not gated. An inlet screen and a 6" handle cap shall be included.

## STEAMER GATES:

One (1) Elkhart EB6D butterfly valve(s) shall be installed in the specified suction inlet(s) of the pump. The valve shall have a ductile iron body with aluminum/bronze disk and EPDM seat. The valve shall be pressure rated to 250psi with a Cv Value of 1950. The valve shall be capable of bi directional flow. The valve shall not require lubrication of seats or any internal waterway components, and must be capable of swinging out of the waterway for maintenance. The valve shall carry a 10-year manufacturer's warranty. This valve shall be operated using an electric gear drive actuator. The actuator shall be quickly adjustable to one of four positions. The clutchless electric drive shall open or close the valve in no less than 5 seconds.

A warning label stating "**Warning: serious injury or death could occur if inlet is supplied by a pressurized source when the valve is closed**" shall be supplied and mounted.

## APEX-S VALVE CONTROLLER

An Elkhart Brass APEX-S Electric Valve Controller shall be provided. The controller shall be no greater than 3.75" wide. The controller shall be rated to IP67 and operate the electric valve from a supply voltage of 12-24 VDC. Controller shall have CAN network capability. Valve position shall be monitored via true position feedback and displayed by 10 LED position indicators. The controller shall include OPEN/CLOSE buttons, a one-touch programmable preset valve position and auto-open/auto-close function. The controller shall include a top-mounted changeable visor available in colors to match the discharge.

### Product Features

- Valve control with 10 segment LEDs for position indication
- CAN network compatible
- Oversized buttons for easy gloved-hand operation
- Programmable preset for automatic valve positioning

- AUTO open/close feature for quick operation
- Visors in NFPA colors to match pump discharge colors

The Apex-S Visor Color shall be Burgundy.

LOCATION: Left Side

### PIPING:

The piping will be stainless steel material throughout the waterway system. The suction waterway shall be 6" 304 stainless steel material. The suction waterways shall be designed to flow a minimum of 17% in excess of the rated capacity from draft. The suction piping shall incorporate a 4" suction inlet to allow for full flow from the tank valve assembly. The suction piping shall be adapted from 6" TIPT to NST with a chrome adapter. The suction system shall be designed with 6" victaulic couplings to allow ease of access for maintenance or removal of the pumping system.

The discharge system shall incorporate a 4" stainless steel distribution system. The manifold shall be fed from the 4" piping system. The discharge system shall incorporate a 4" victaulic system to allow ease of access for maintenance or removal of the pumping system. Each discharge shall be fed from above the manifold system.

### PUMP DRAINS:

The entire pump and its controls shall be drainable with a master drain piped to the lowest points of the pump and its control piping. The master drain shall be of a threaded design that will seal all drain points without allowing recycle.

### MECHANICAL SEAL:

The pump shall be furnished with a Darley maintenance free mechanical seal. The mechanical seal shall be a non-contacting, non-wearing dual seal design. Seal shall be a Silicon Carbide Mechanical seals with welded springs. The stationary face of mechanical seals shall be made from Silicon Carbide, and be extremely hard and of a heat dissipative material, which resists wear and dry running damage much better than conventional Ni-resist and Tungsten Carbide materials

### AIR PUMP SHIFT:

The shifting mechanism shall be a heat-treated, hard anodized aluminum power cylinder, with stainless steel shaft. The assembly shall be plumbed utilizing a 3/8" air line for maximum performance. An in-cab control for rapid shift shall be provided that locks in road or pump.



For automatic transmissions, three green warning lights shall be provided to indicate to the operator(s) when the pump has completed the shift from Road to Pump position. Two green lights to be located in the truck driving compartment and one green light on pump operators panel adjacent to the throttle control. For manual transmissions, one green warning light will be provided for the driving compartment. All lights shall have appropriate identification/instruction plates.

## **INTAKE PRESSURE RELIEF VALVE**

One (1) Elkhart Model #40-20, relief valve shall be provided. The relief valve is designed to be installed permanently on the suction side of the pump..

The relief valve shall be fully adjustable from 75 to 250 PSI which will be pre-set at 125 PSI. The valve shall be brass construction with a stainless steel mechanism and it shall have a rubber seat to ensure a positive vacuum seal.

The relief valve shall be set at 125 PSI

## **REQUIRED PUMP TESTING:**

If the fire pump has a rated capacity of 750 gpm or greater capacity, the pump shall be tested after the pump and all its associated piping and equipment have been installed on the apparatus. The tests shall be conducted at the Alexis facility and certified by an EVT Certified pump operator. The certification shall include (at least) the following tests: the pumping test, the pumping engine overload test, the pressure control system test, the priming device tests, and the vacuum test. If the apparatus is equipped with a water tank, the water tank to pump flow test shall be included.

A test plate shall be provided at the pump operator's position that gives the following information: the rated discharges and pressures, the speed of the engine determined by the certification test for each unit, the position of the parallel/series pump as used, and the no-load governed speed of the engine stated by the engine manufacturer on a certified brake horsepower curve. The plate shall be completely stamped with all information at the factory and attached to the vehicle prior to shipping.

## **PUMP CERTIFICATION:**

Upon final apparatus delivery, the original copy of the certificate of inspection by an independent third party shall be furnished.

The pumping system shall be capable of delivering:  
100 % of rated capacity at 150 psi. net pump pressure

70 % of rated capacity at 200 psi. net pump pressure  
50 % of rated capacity at 250 psi. net pump pressure

## **PUMP MODULE - SIDE CONTROL:**

A free standing pump module shall be located between the chassis cab and the body.

The pump module shall be a self-supported structure mounted to the frame separate from the cab and body. Pump module design beginning with a formed framework assemblies that are precision manufactured from corrosion free heavy 7 gauge stainless steel forms. This framework mounts to the truck frame through a mounting design complimented with four (4) VIBRA mount elastomer cushions. The result shall be a mounting system that allows for the twisting movement of the truck frame without undue stress loading of the pump module.

The pump operator's panel shall be located on the left side of the apparatus, and the suction/discharge panels shall be located on the left and right sides of the apparatus.

An automotive rubber seal shall be adhered to the pump panel to reduce vibration that may occur during pump operation or road application. The panel shall be attached to the framing with 3/16" pin, 1" knuckle, continuous stainless steel hinges. The hinges shall be attached with stainless steel fasteners.

Each panel shall be secured with latches at the top and bottom of the door opening.

The top left operator's panel shall be hinged for access to the individual gauges and the electrical components. No exceptions.

Once the module is designed, the valve control placements on a control module shall result in a neat and orderly layout. Open the access door on a side control module and peer inside. The horizontal control rods appear neat and orderly.

## **PUMP CONTROLS:**

The pump panel shall incorporate push pull controls for each discharge, the tank fill recycle, and the tank to pump valve (if applicable.)

## **STORAGE AREA - AHEAD OF PUMP MODULE:**

There shall be a storage area located at the front of the pump module. The storage area shall be manufactured of 14 gauge 304 #4 stainless steel material and incorporate one (1) compartment on each

side. The floor of each compartment shall be manufactured of 12 gauge 304 #4 stainless steel material. The storage module shall be the width of the pump module for a uniform appearance.

The storage module shall have a door opening on each side of approximately 12" wide x 61" high x transverse deep.

### **BEVELED LAP STYLE DOOR CONSTRUCTION:**

The storage module doors shall be manufactured in a lap design. The perimeter of each outer door panel shall be of a beveled design to assure a tight seal.

Each door shall be a double pan door. The outer surface and the inner pan shall be manufactured of 14 gauge 304 stainless steel with a natural #4 finish.

Each door shall be supported with a stainless steel piano. Each hinge shall be bolted to the door perimeter and door casement with stainless steel bolts, thereby facilitating door replacement. The door openings shall have closed cell automotive type seals to prevent water and dirt entry.

There shall be a seal applied to the outer and inner perimeter of the door to allow for a double seal design.

### **COMPARTMENT DOOR LATCHING:**

The compartment doors shall be secured by a single point rotary latching system. The door handle shall consist of a stainless steel rotary D-ring latch.

### **DOOR RETAINERS-DOUBLE SPRING SLIDE TYPE:**

Each vertically hinged side compartment door shall be retained with stainless steel double spring slide type retainers (Hansen 5 EZ style). The retainers shall be designed to hold the door in the open position.

The left side of the storage module shall contain the following

Vertical Unistrut Tracking shall be provided in each EMS compartment

ROM DuroStrip V5 LED strip lighting to illuminate the entire area. The lights shall run the entire height of the compartment on each side of the door opening.

The right side of the storage module shall contain the following

Vertical Unistrut Tracking shall be provided in each EMS compartment

ROM DuroStrip V5 LED strip lighting to illuminate the entire area. The lights shall run the entire height of the compartment on each side of the door opening.

## **PUMP OPERATOR'S PANEL:**

The pump operator's panel shall include the following:

## **PRESSURE GOVERNOR and MONITORING DISPLAY**

One (1) Fire Research PumpBoss Max series PBA501-D00 pressure governor and control module kit shall be installed. The kit shall include a control module, intake pressure sensor, discharge pressure sensor, and cables. The control module housing shall be waterproof and have dimensions not to exceed 7 1/2" high by 3 5/8" wide. The control knob shall be 2" in diameter with no mechanical stops, have a serrated grip, and a red idle push button in the center. It shall not extend more than 2" from the front of the control module. The control LCD shall be 3.5" in size with a minimum brightness of 1000 nits and optically bonded to 3mm Borofloat Glass. Inputs for monitored engine information shall be from a J1939 data bus or independent sensors. Outputs for engine control shall be on the J1939 data bus. Inputs from the pump discharge and intake pressure sensors shall be electrical.

The following continuous displays shall be provided:

- Engine RPM; shown on LCD screen
- Check engine and stop engine warning; shown on LCD screen
- Engine oil pressure; shown on LCD screen
- Engine coolant temperature; shown on LCD screen
- Transmission Temperature; shown on LCD screen
- Battery voltage; shown on LCD screen
- Pressure and RPM operating mode LEDs
- Pressure / RPM setting; shown on LCD screen
- Throttle ready / Ok to Pump LEDs.

On screen (LCD) message display shall show diagnostic and warning messages as they occur. It shall show monitored apparatus information, stored data, and program options when selected by the operator. LCD Screen and LED's intensity shall be automatically adjusted for day and nighttime operation.

The program shall store the accumulated operating hours for the pump and engine to be displayed with the push of a button. It shall monitor inputs and support audible and visual warning alarms for the following conditions:

- High Battery Voltage
- Low Battery Voltage (Engine Off)
- Low Battery Voltage (Engine Running)

High Transmission Temperature  
Low Engine Oil Pressure  
High Engine Coolant Temperature  
Out of Water (visual alarm only)  
No Engine Response (visual alarm only).

The program features shall be accessed via push buttons located on the front of the control module. There shall be a USB port located at the rear of the control module to upload future firmware enhancements.

The pressure governor shall operate in two control modes, pressure and RPM. No discharge pressure or engine RPM variation shall occur when switching between modes. A throttle ready and Ok to Pump LED shall light when the interlock signal is recognized. The pressure governor shall start in pressure mode and set the engine RPM to idle. In pressure mode the pressure governor shall automatically regulate the discharge pressure at the level set by the operator. In RPM mode the governor shall maintain the engine RPM at the level set by the operator except in the event of a discharge pressure increase. The pressure governor shall limit a discharge pressure increase in RPM mode to a maximum of 30 psi. Other safety features shall include recognition of low water and no water conditions with an automatic programmed response and a push button to return the engine to idle.

The pressure governor control module shall be programmed at installation for a Cummins engine.

## **MASTER GAUGES:**

One (1) 4½" compound gauge with a range of 30-0-400 PSI.

One (1) 4½" pressure gauge with a range of 0-400 PSI

The compound and pressure gauges shall remain unlit as previously specified.

## **MAXVISION TANK LEVEL INDICATOR:**

Fire Research TankVision model WLA280-A00 tank remote indicator shall be installed. The indicator shall show the volume of water in the tank on Ninety six (96) easy to see super bright Tri-color LEDs. The indicator case shall be waterproof, manufactured of Polycarbonate material with an integrated lens. The package includes a rubber gasket.

The remote indicator shall receive input information over a datalink from a Fire Research TankVision primary indicator model WLA300-A00. The remote indicator shall indicate the level as a single color in Red for 25% or less, Amber color for up to 50% volume, Blue color for up to 75% volume and Green color for up to 100% volume. When the level reaches 25%, the red LEDs will begin flashing. When the



level is empty, the red LEDs will scroll in a down-chasing motion and then flash three times. It shall have the program capability to adjust the brightness level for day time and nighttime viewing.

There shall be three (3) MaxVision Tank Level strip lights provided on the apparatus, one (1) each side and one (1) at the rear.

In addition to the LED MaxVision displays, a FRC TankVision WLA300 water level gauge will be located on the pump operator's panel.

Each strip light shall be mounted utilizing a chrome plated flange.

**COLOR CODED TAGS:**

Color coded tags with chrome plated bezels shall be provided. Unless otherwise specified all tags shall be color coded to NFPA recommendations and shall be located at the control location, intake/discharge location, and at the drain port location.

A FAMA 25 label stating "Trained Personnel Only" shall be provided on the pump operator's panel.

Alexis Standard Tags:

Front Bumper Jump Line	Orange
Preconnect #1	Red
Preconnect #2	Yellow
Preconnect #3	Seafoam
Discharge #1	White
Discharge #2	Blue
Discharge #3	Black
Discharge #4	Green
Discharge #5/Water tower	Purple
Deluge/deck gun	Silver
Large-diameter hose	Yellow with white border
Foam line(s)	Red with white border
Booster reel(s)	Gray
Inlets	Burgundy

**TEST PORTS:**

Vacuum and pressure test ports shall be provided on the pump operator's panel for connection of the pump test gauges.

## **PUSH BUTTON ON PUMP PANEL FOR AIR HORNS:**

There shall be a push button provided on the pump panel to activate the air horns.

## **RUNNING BOARDS**

The running boards shall be constructed of 12 gauge star punched stainless steel material. The material meets NFPA standard 13-7.3: all exterior surfaces have a minimum slip resistance of .68.

## **HOSE WELL:**

A free floating hose well shall be recessed in the left running board ahead of the side compartments. It shall be constructed of 12 gauge stainless steel material and shall incorporate a beveled front floor. Drain holes shall be provided in the corners.

## **HOSE WELL DURATILE:**

Black Duratile shall be installed in the bottom of the hose well to insure proper hose ventilation and drying.

## **HYPALON HOSEWELL COVER:**

There shall be a Hypalon cover installed on the hosewell.

The hypalon cover shall be red in color.

The hose well shall have the capacity to contain \_\_\_' of \_\_\_\_" hose.

## **RUB RAILS - PUMP MODULE:**

Bolt on rub rails shall be installed one (1) each side of the pump module. Said rub rails will be fabricated of black poly material, mounted to the running board utilizing ¼" plastic spacers.

The rub rails shall incorporate the LED ground lights and LED lower warning lights. Each light strip shall run the full length of each rub rail.

## **STAINLESS STEEL PUMP MODULE:**

The area above the side discharge panels on each side shall be manufactured of 14 gauge brushed

stainless steel material.

## **STAINLESS STEEL PUMP PANELS:**

The pump operator's panel and discharge panels shall be manufactured of 12-gauge stainless steel and shall include a full width light hood with one (1) E45 Series LED light strip

The side discharge panel on the passenger side of the apparatus shall be manufactured of 12-gauge stainless steel and shall include a full width light hood with one (1) E45 Series LED light strip

The lights shall be activated by a switch located on the pump operator's panel.

## **PUMP MODULE TOP:**

## **DUNNAGE COMPARTMENT:**

One (1) pump module width dunnage compartment shall be located over the pump. The compartment shall be the same depth as the preconnect hose bed and shall incorporate deck gun piping if applicable. The dunnage compartment shall be left open, allowing full accessibility to stored equipment.

## **MATTYDALE PRECONNECTS:**

Three (3) Mattydale preconnects shall be located across the top of the apparatus body. Two (2) of the preconnects shall measure 1½", and one (1) of the preconnects shall measure 2½".

The 1½" preconnects shall incorporate a 1½" 180° swivel adapted to 1½" fire hose thread. The water ways shall be 2" i.d. and shall include a 2" full flow quarter turn ball valve that is remote controlled from the operator's panel.

The 2½" preconnect shall incorporate a 2½" swivel adapted to 2½" fire hose thread. The water way shall measure 3" i.d. and include a 2½" full flow quarter turn ball valve that is remote controlled from the operator's panel.

The 1½" preconnects shall have the capacity to contain a minimum of 200 ft. of 1¾" hose, and the 2½" preconnect shall have the capacity to contain a minimum of 150 ft. of 2½" hose. The Mattydale preconnects shall be designed to allow the extension of hose to the right or left side of the apparatus body. The preconnect openings shall incorporate aluminum abrasion plates to protect the body finish from the hose and its couplings during extension or relay.

The Mattydale preconnect hose beds shall be a deep cut single lay design. The floor of the preconnects



shall be 66" from ground level.

Each above valve shall be manually controlled.

One (1) IC line reading gauge supplied for each above discharge. The gauge shall have a 2½ diameter face with a graduated output scale of 0-400 PSI with black print on a bright white background.

### **PRECONNECT HOSE RETENTION - STRAP:**

The preconnect area shall include 2" nylon straps for hose retention. Each strap shall include a seat belt buckle for ease of access. There shall be one (1) strap at each end and one (1) strap on each side across the top, total of four (4) straps.

### **2 ½" DISCHARGE PIPING:**

Two (2) 2 ½" discharge(s) shall be located on the left side of the apparatus. Each discharge valve shall be located behind the body panel and controlled from the side control pump operator's panel. Each discharge shall include a self-locking 2½" quarter-turn ball valve, a 2½" chrome cap with chain, and a sweep elbow of at least 30 degrees downward.

Each above valve shall be manually controlled.

One (1) IC line reading gauge supplied for each above discharge. The gauge shall have a 2½ diameter face with a graduated output scale of 0-400 PSI with black print on a bright white background.

### **2 ½" DISCHARGE PIPING:**

One (1) 2 ½" discharge(s) shall be located on the right side of the apparatus. Each discharge valve shall be located behind the body panel and shall be controlled from the side control pump operator's panel. Each shall include a self-locking 2½" quarter-turn ball valve, a 2½" chrome cap with chain, and a sweep elbow of at least 30 degrees downward.

Each above valve shall be manually controlled.

One (1) IC line reading gauge supplied for each above discharge. The gauge shall have a 2½ diameter face with a graduated output scale of 0-400 PSI with black print on a bright white background.

### **3" DISCHARGE(S), APPARATUS RIGHT SIDE:**

One (1) 3" discharge(s) shall be located on the right side of the apparatus with each valve behind the

body panel. Each discharge shall be controlled from the side control pump operator's panel. The valve shall be a 3" slow close valve per NFPA.

### **DISCHARGE ADAPTER:**

The 3" discharge shall incorporate one (1) 3" NST LHF x 5" Storz 30 degree elbow with blind cap.

Each above valve shall be manually controlled.

One (1) IC line reading gauge supplied for each above discharge. The gauge shall have a 2½ diameter face with a graduated output scale of 0-400 PSI with black print on a bright white background.

### **TANK TO PUMP LINE:**

One (1) 3" tank to pump line shall be installed into the tank to the suction side of the pump. It shall have 4" piping and valved with a 3" full flow valve. Each valve shall be controlled from the pump operator's panel. Each tank line shall incorporate a check valve in the line to meet NFPA 1901.

### **LINE DRAINS FOR DISCHARGES:**

The drain valves shall be Innovative Controls ¾" ball brass drain valves with chrome-plated lift lever handles and ergonomic grips. Each lift handle grip shall feature built-in color-coding labels and a verbiage tag identifying each valve, also supplied by Innovative Controls. The color labels shall also include valve open and close verbiage.

### **VENTED DISCHARGE CAPS:**

Each discharge shall incorporate a vented cap designed to relieve stored pressure in the line when disconnected.

### **GATED SUCTION, LEFT SIDE:**

One (1) 2½" gated suction shall be located on the left side of the apparatus. It shall be piped 2½" i.d. including a 2½" Akron full flow quarter turn valve and a 2½" NST female swivel with plug and chain. It shall be remote controlled from the suction location.

Each above valve shall be manually controlled.

### **FRONT SUCTION – CUSTOM CHASSIS:**

One (1) 5" suction shall be located at the front of the apparatus. The suction piping shall be as described in the custom chassis specifications. An inlet screen and a long handle cap shall be included. The operator has an Open/Closed indicator device showing the valve position at all times. The butterfly valve shall be made of lightweight aluminum alloy with a bronze valve disc and 1-piece rubber seat. It shall be rated at 250 psi working pressure. The electric actuator shall have a worm gear drive system with emergency manual override. All the controls shall be within a single mountable panel package that utilizes current limiting for fully open and closed stopping. There shall be no switches in the gear actuator housing.

### **INTAKE RELIEF VALVE:**

One (1) Elkhart Model 40-20 intake relief valve shall be installed on the auxiliary intake of the pump. The minimum range shall permit control from 75 to 250 psi. (per NFPA 4-5.1).

### **FRONT SUCTION ELBOW - PAINTED:**

The front suction shall incorporate a 5" Trident swivel elbow terminating as described below. The Trident swivel shall be painted job color.

The auxiliary suction shall terminate 6" NSTM.

### **SUCTION LINE DRAINS:**

Each 2½" gated suction and those of larger sizes shall incorporate a ¾" quarter turn drain hoses to ground. The drain shall be located behind the body panel, remote controlled from the suction location.

### **FIXED MONITOR PIPING:**

One (1) 3" discharge shall be located on the deck over the pump compartment. The discharge shall be flanged to adapt to a permanent mounted deck pipe. The piping shall be reinforced to allow rated deck pipe flow without piping distortion. The discharge valve shall be a quarter turn 3" full flow valve located in the pump compartment. It shall be controlled from the pump panel. The deluge and its control shall be positioned so the pump operator shall have complete control. The valve shall be a slow close valve per NFPA requirements.

Each above valve shall be manually controlled.

One (1) IC line reading gauge supplied for each above discharge. The gauge shall have a 2½" diameter face with a graduated output scale of 0-400 PSI with black print on a bright white background.



### **PRECONNECT(S), 2 ½" FRONT OF HOSE BED:**

One (1) 2½" preconnect(s) shall be located at the front of the apparatus hose bed. Each preconnect shall include 2½" full flow waterways and a 2½" full flow quarter turn ball valve that is controlled from the pump panel.

Each above valve shall be manually controlled.

One (1) IC line reading gauge supplied for each above discharge. The gauge shall have a 2½ diameter face with a graduated output scale of 0-400 PSI with black print on a bright white background.

LOCATION: Left Side

### **1½" PRECONNECT, BUMPER EXTENSION:**

One (1) 1½" preconnect shall be incorporated within the bumper extension. The piping shall measure 2" i.d. and shall be valved with 2" full flow quarter turn ball valves that are controlled from the operator's panel.

Each preconnect shall include a bumper deck mounted 1½" swivel adapted to 1½" fire hose thread

Each above valve shall be manually controlled.

One (1) IC line reading gauge supplied for each above discharge. The gauge shall have a 2½ diameter face with a graduated output scale of 0-400 PSI with black print on a bright white background.

### **TANK FILL RECYCLE:**

One (1) 2" waterway shall be incorporated from the pressure side of the pump to the tank. The line shall be controlled from the pump panel and valved with a 2" ball valve to allow a pump cooling recycle or tank fill when pumping from draft. When fully opened, it shall have the capacity to refill the tank at 750 gpm when pumping at 100 psi.

Each above valve shall be manually controlled.

### **VALVING:**

Each and every apparatus valve must be a Stainless Steel Ball Valve, per the following specifications.

The valve shall have an all brass body with flow optimizing stainless steel ball and dual polymer seats.

The valve shall be capable of bi-directional flow and incorporate a self-locking ball. The valve shall not require lubrication of seats or any other internal waterway components, and must be capable of swinging out of the waterway for maintenance. The valve shall be manufactured in the United States and shall carry a ten year warranty.

## **PIPING:**

All waterways described herein shall be of schedule 40 threaded stainless steel pipe, schedule 10 welded stainless steel, or "aeroquip" hose. Each shall be installed with the proper couplings to allow apparatus twisting, flexing, and complete removal for service or replacement.

## **PLUMBING WARRANTY:**

The stainless steel plumbing components and ancillary brass fittings used in the construction of the water/foam plumbing system shall be warranted for a period of ten (10) years or 100,000 miles. This covers structural failures caused by defective design or workmanship, or perforation caused by corrosion, provided the apparatus is used in a normal and reasonable manner. This warranty is extended only to the original purchaser for a period of ten (10) years or 100,000 miles from the date of delivery.

## **PIPING CERTIFICATION:**

Upon final apparatus delivery, a certification sheet shall accompany the unit stating that all piping and the pump have been hydrostatically tested to 250 psi.

## **BODY:**

### **BODY WARRANTY:**

Alexis Fire Equipment Company hereby extends its standard two-year fire and rescue apparatus warranty to include defects in materials and workmanship of the body as well as structural defects which, in the sole opinion of the company, substantially affect the total integrity of the body. This warranty is extended only to the original user-purchaser.

Alexis Fire Equipment warrants the 12 gauge stainless steel bodies, fabricated by Alexis Fire Equipment, under normal use and with reasonable maintenance, shall remain structurally sound for the lifetime of the apparatus per NFPA recommendations or 100,000 miles as long as the design of the apparatus complies with Alexis engineering practices.

The Company reserves the right to require any such repairs to be made either at Alexis Fire Equipment Company, Inc. or another approved service facility, at the option of Alexis Fire Equipment. Transportation cost to and from the servicing location is the responsibility of the user-purchaser.

The warranty shall be null and void if, upon inspection by the Company, the alleged defect is determined to have been caused by abuse, modification, accident, neglect, or lack of proper maintenance.

This warranty does not apply to the following items that are covered by a separate warranty: paint finish, hardware, door assemblies, moldings, and other accessories attached to the body. In addition, this warranty does not apply to any part or accessory manufactured by others and attached to the body.

Alexis Fire Equipment will be given a reasonable opportunity to investigate all claims. The purchaser must commence any action arising out of, based upon or relating to agreement or the breach hereof, within twelve (12) months from the date the cause of the action occurred.

Alexis Fire Equipment makes no other warranty, expressed or implied, with respect to the apparatus body and all implied warranties of merchantability and fitness for a particular purpose are hereby disclaimed.

## **BODY SUB FRAME – STAINLESS STEEL:**

The body sub frame system shall be designed for the emergency service application. The sub frame shall be independent of the chassis frame and is to be constructed of heavy structural material to provide the maximum strength and body support necessary for units utilized in emergency service. The system not only is used for total support designed to carry the total load of the apparatus; the system also allows the unit to be a complete lift off transferable apparatus once completed.

The system is designed to carry the emergency apparatus on the chassis main frame in a European style method. This method allows the apparatus body to float independently from the chassis frame ahead of the rear wheels and shall be rigidly attached behind the rear axle area.

The sub frame system shall be isolated from the chassis frame with a custom full length rubber extrusion that totally locks onto each chassis frame rail. This system isolates the body from the frame while also acting as a cushion between the two units.

The sub frame system shall be manufactured completely of 304L stainless steel material. The stainless steel sub frame shall incorporate 6 x 3 x .375 304L stainless steel angle which shall run the full length of each chassis frame rail from the back of the cab to the end of the frame. The angle provides heavy duty

stability to each outrigger installed on the unit. The system is designed to keep the outriggers from deflecting once the unit is loaded.

Each outrigger shall consist of a 4 x 2 x 7 gauge 304L stainless steel rectangular tubing vertical downrigger to continue the total sub frame support. Each horizontal under compartment outrigger shall be manufactured of a custom 7 gauge 304L stainless material which is formed in a channel design for maximum support. The horizontal outriggers shall include a minimum of two (2) custom designed **VibraCenters** installed on each outrigger to support the load of the body. This system also supports the compartment load and allows it to absorb the road energy and prevent premature wear of the customer's equipment which is loaded in the apparatus. Each **VibraCenter** is designed to carry the load of the apparatus per NFPA guidelines and to absorb shock loads in excess of 10 g's.

The tank cradle shall be incorporated within the sub frame system to allow for a lower vertical center of gravity and to allow the water load weight to be supported by the sub frame system. The tank cradle shall incorporate the heavy sub frame and 7 gauge 304L stainless steel channel placed in accordance with the poly tank manufacturer's recommendations. Each channel is reflex coated to prevent the water tank from chaffing with the stainless steel sub frame.

The stainless steel subframe shall be manufactured utilizing 3/8" Magna-Grip LockBolt fasteners. The fasteners are widely known as the most reliable wide grip fastening system available and also provide vibration and loosening resistance.

### **APPARATUS FRONT PANEL:**

The vertical surfaces at the front of body shall be manufactured of 14 gauge 304 stainless steel material.

### **STAINLESS STEEL SIDE BODY PANELS:**

The apparatus side body panels shall be full height and independent of the tank's sides. The body panels shall be constructed of 14 gauge #4 304 stainless steel material.

### **APPARATUS REAR PANELS:**

The vertical surfaces at the rear, from the tailstep walkway to the hose bed, shall be manufactured of smooth stainless steel, in preparation for Chevron striping.

### **WHEEL HOUSING, PAINTED SMOOTH STAINLESS STEEL:**

The rear wheel housing shall be constructed of painted stainless steel and shall incorporate a polished stainless steel fenderette. The circular interliner shall be manufactured of 3/16" Tivar 1000 polymer

material.

The polymer material is a chemical and corrosion resistant material, thereby preventing excess wear and corrosion from occurring due to wintertime road chemicals. The polymer material shall be held in place by the use of polymer retainers or bolts for ease of repair and access to the wheel well area.

### **HOSE MAT:**

The hose mat shall be constructed of 5052 aluminum and shall be of a slatted design to provide proper drainage of hose bed.

### **TAIL STEP:**

The tail step shall be constructed of 12 gauge star punched stainless steel material. The material meets NFPA standard 13-7.3: all exterior surfaces have a minimum slip resistance of .68.

The tail step shall be 41" wide and shall be recessed between the rear of the compartments on each side only.

The tail step shall be 10" deep

### **RUB RAILS - REAR:**

Bolt on black poly rub rails shall be installed at the rear of the apparatus, outboard of the rear tail step on each side. Said rub rails will be fabricated of black poly material, mounted to the body surface utilizing ¼" plastic spacers.

The rub rails shall incorporate the LED ground lights and LED lower warning lights. Each light strip shall run the full length of each rub rail.

### **REAR TOW EYES:**

Two (2) ¾" thick steel tow eyes shall be provided, one (1) on each side below the body at the rear. Each tow eye shall be manufactured of the same material as the body subframe

### **FUEL TANK:**

The chassis shall incorporate a rear fuel tank installed by the chassis manufacturer. The fill and vent shall be installed behind the left rear wheel in a recessed housing with a hinged stainless steel door, Model 101426. The fill shall be labeled with the type of fuel intended.



## **CAB TILT PENDANT CONNECTION:**

The chassis supplied cab tilt connection shall be mounted on the right side of the apparatus. For a pumper, the receptacle shall be located on the discharge panel. For a rescue, the receptacle shall be located in the R1 compartment.

## **DUAL BOTTLE AIR BOTTLE COMPARTMENT(S):**

One (1) Model 101400-1X air bottle storage compartment(s) shall be located in the apparatus wheel well assemblies. For ease of access, each bottle shall be stored within an individual storage tube manufactured of poly material. Each individual storage tube shall be designed in a tear drop profile with flex-tube configuration for optimal abrasion-less storage.

The compartment shall incorporate a double bottle vertically hinged stainless steel door with a black push button latch. Each compartment shall have the capacity to carry two (2) air bottles.

LOCATION: Left Side Ahead of the Rear Wheels

## **AIR BOTTLE COMPARTMENT:**

One (1) Model 101846-1X air bottle storage compartment with fuel fill provision shall be located in the apparatus wheel well assemblies on the left side behind the rear wheels.. For ease of access, each bottle shall be stored within an individual storage tube manufactured of poly material. Each individual storage tube shall be designed in a tear drop profile with flex-tube configuration for optimal abrasion-less storage..

The compartment shall incorporate a vertically hinged stainless steel door with a black push button latch. Each compartment shall have the capacity to carry one (1) air bottle.

## **DUAL BOTTLE AIR BOTTLE COMPARTMENT(S):**

One (1) Model 101400-1X air bottle storage compartment(s) shall be located in the apparatus wheel well assemblies. For ease of access, each bottle shall be stored within an individual storage tube manufactured of poly material. Each individual storage tube shall be designed in a tear drop profile with flex-tube configuration for optimal abrasion-less storage.

The compartment shall incorporate a double bottle vertically hinged stainless steel door with a black push button latch. Each compartment shall have the capacity to carry two (2) air bottles.

LOCATION: Right Side Ahead of the Rear Wheels

## **DUAL BOTTLE AIR BOTTLE COMPARTMENT(S):**

One (1) Model 101400-1X air bottle storage compartment(s) shall be located in the apparatus wheel well assemblies. For ease of access, each bottle shall be stored within an individual storage tube manufactured of poly material. Each individual storage tube shall be designed in a tear drop profile with flex-tube configuration for optimal abrasion-less storage.

The compartment shall incorporate a double bottle vertically hinged stainless steel door with a black push button latch. Each compartment shall have the capacity to carry two (2) air bottles.

LOCATION: Right Side Behind the Rear Wheels

## **HOSE BED:**

The hose bed shall be located over the booster tank, and must be accessible from the tail step and from its open top. The hose bed compartment shall have a minimum capacity of 55 cu. ft. and a minimum width of 71".

The hose bed floor shall be lowered for improved accessibility

## **HINGED HOSE BED CROSSBAR:**

One (1) hinged hose bed crossbar shall be installed at the rear top of the hose bed. The crossbar shall allow for mounting of any rear scene light(s), arrow stick or backup camera.

The crossbar shall be hinged at the side of the body and secured with a D ring rotary latching system

The crossbar shall be hose bed width and approximately 6" wide. The crossbar system shall be fabricated of .125" smooth aluminum material.

## **HOSE BED CAPACITY:**

The hose bed shall have the capacity to carry the following hose from left to right:

Ten (10) 100' sections of 5" LDH Hose

## **HOSE BED DIVIDER:**

One (1) divider shall be located in the hose bed. It shall be constructed of 3/16" aluminum plate. The divider shall be designed for future adjustability with locking blocks in aluminum channels at the front and the rear of the hose bed.

Each hose bed divider shall incorporate hand hold cutouts to assist in accessing the hose bed.

Each divider shall be cut down through the middle section to facilitate ease of loading the hose.

### **HOSE BED COVER:**

One (1) 2-piece custom tailored hypalon hose bed cover shall be included with the apparatus body. It shall be manufactured of a flame retardant material with a grab tensile of 480 x 500 lbs. and a tongue tear of 160 x 150 lbs. It shall be crack resistant to -40° Fahrenheit and have an adhesion lbs./in of 10.0 lbs. The hose bed cover shall be fitted to the hose bed and retained with a double woven shock cord on the front and both sides. The shock cord shall system shall utilize nylon hooks spaced every 10"-12".

The hose bed cover shall include a 3 year warranty.

One (1) Hypalon end flap shall be provided. The end flap shall be retained at the top with shock cord and nylon clips on the hinged cross bar. The cover shall be sand weighted across the rear flap and shall also include two (2) 2" wide nylon straps with teflon buckle to meet NFPA requirements.

The hypalon cover shall be red in color.

### **COMPARTMENTATION:**

#### **COMPARTMENT DESIGN:**

The compartmentation shall be fabricated of bolted 14 gauge 304 stainless steel walls and 12 gauge 304 stainless steel floors. The compartmentation is designed to be an intricate part of the body and subframe for maximum compartment support. The compartment tops shall be fabricated of smooth stainless steel material and shall meet the intent of the latest edition of NFPA 15.7 regarding stepping, standing, and walking surfaces. The material shall be formed over each compartment top to act as drip protection over each compartment opening. The compartment flooring will be sweep out design. The front and rear corners of the body shall remain natural finish #4 stainless steel. The material be full height and shall wrap around each corner to the compartment door frame.

The specified lighting in each compartment shall be switched automatically with the doors. The lighting shall meet the requirements of NFPA 13.10.5



The front and rear body post on each side shall be 6" wide.

**PAINTED ROLL-UP DOORS:**

The side compartments shall have ROM Series IV Roll-up Shutter Doors with a **paint**ed finish. The doors shall be made of an anodized aluminum slat incorporating an exclusive seal that prohibits water intrusion, absorbs shock, eliminates clatter, and provides quiet, vibration-free performance. The lift bar shall be a D-shaped bar for strength and ease of use.

The rear compartment (if applicable) shall have ROM Series IV Roll-up Shutter Door with a **sat**in finish. The door shall be made of an anodized aluminum slat incorporating an exclusive seal that prohibits water intrusion, absorbs shock, eliminates clatter, and provides quiet, vibration-free performance. The lift bar shall be a D-shaped bar for strength and ease of use.

**ROLL UP DOOR GUARD:**

Each roll-up door shall incorporate a stainless steel guard. The guard shall be located at the top of the compartment around the roll-up door header to protect the finish of the roll-up door when the door is in the up position. The door opening height as stated will be reduced by approximately 2" to accommodate the door guard.

**TALL BOTTOM RAIL:**

Each ROM door shall incorporate a tall bottom rail for improved accessibility.

**ROLL UP DOOR PULL STRAPS:**

Each roll up door shall incorporate a ROM elastic pull strap to assist in closing the door.

The roll-up door side tracks and top drip rail shall remain **sat**in finish.

**LEFT SIDE BODY SHALL BE AS FOLLOWS:**

**L1**

A roll-up door compartment assembly with a door opening of 21" wide x 64" high x 12" deep in the upper area and 25" deep in the lower area shall be incorporated on the apparatus left side ahead of the rear wheels.

The compartment shall include the following:

Unistrut Tracking

ROM DuroStrip V5 LED strip lighting to illuminate the entire area. The lights shall run the entire height of the compartment on each side of the door opening.

## **L2**

One (1) compartment with a roll-up door shall be located above the wheel well on the left side. It shall have a door opening of 54" wide x 31" high x 12" deep.

The compartment shall include the following:

Unistrut Tracking

ROM DuroStrip V5 LED strip lighting to illuminate the entire area. The lights shall run the entire height of the compartment on each side of the door opening.

## **L3**

A roll-up door compartment assembly with a door opening of 48" wide x 64" high x 12" deep in the upper area and 25" deep in the lower area shall be incorporated on the apparatus left side behind the rear wheels.

The L3 compartment shall extend to the rear body panel.

The compartment shall include the following:

Unistrut Tracking

ROM DuroStrip V5 LED strip lighting to illuminate the entire area. The lights shall run the entire height of the compartment on each side of the door opening.

## **RIGHT SIDE BODY SHALL BE AS FOLLOWS:**

### **R1**

A roll-up door compartment assembly with a door opening of 21" wide x 64" high x 12" deep in the upper area and 25" deep in the lower area shall be incorporated on the apparatus right side ahead of the rear wheels.

The compartment shall include the following:

Unistrut Tracking

ROM DuroStrip V5 LED strip lighting to illuminate the entire area. The lights shall run the entire height of the compartment on each side of the door opening.

## **R2**

One (1) compartment with a roll-up door shall be located above the wheel well on the right side. It shall have a door opening of 54" wide x 31" high x 12" deep.

The compartment shall include the following:

Unistrut Tracking

ROM DuroStrip V5 LED strip lighting to illuminate the entire area. The lights shall run the entire height of the compartment on each side of the door opening.

## **R3**

A roll-up door compartment assembly with a door opening of 48" wide x 64" high x 12" deep in the upper area and 25" deep in the lower area shall be incorporated on the apparatus right side behind the rear wheels.

The R3 compartment shall extend to the rear body panel.

The compartment shall include the following:

Unistrut Tracking

ROM DuroStrip V5 LED strip lighting to illuminate the entire area. The lights shall run the entire height of the compartment on each side of the door opening.

## **REAR COMPARTMENT SHALL BE AS FOLLOWS:**

A roll-up door compartment assembly with a door opening of 34" wide x 22" high x 21" deep shall be located at the rear of the apparatus.

## TRANSVERSE OPENING:

The side compartments behind the wheel shall be made transverse or interconnecting with the rear compartment. This transverse compartment will be full body width and must be accessible from the left side, right side or the rear compartment area.

The rear compartment shall include the following:

ROM DuroStrip V5 LED strip lighting to illuminate the entire area. The lights shall run the entire height of the compartment on each side of the door opening.

## SUCTION HOSE STORAGE:

Two (2) suction gutter for a 10 ft. length of suction hose shall be installed on the exterior of the apparatus in the specified location. Each gutter shall be manufactured of 5052-H32 aluminum sheet and supported on aluminum brackets.

Each length of suction hose shall be retained with looped polyester straps and polyester Velcro #2000 loop, #80 hook. The retaining assembly shall be water proof, humidity proof and impervious to ultraviolet.

Each suction gutter shall remain natural finish aluminum.

LOCATION: One (1) each side

## PIKE POLE TUBE:

Two (2) pike pole tube(s) shall be installed in the ladder storage compartment.

## LADDER STORAGE:

The ladders shall be stored in a compartment located in the apparatus hose bed on the right side. The ladders shall be stored on "beam" edge and the compartment shall incorporate individual poly slides for ease of removal of the ladders. The ladders shall be accessible from the rear of the apparatus through a vertically hinged door with single point latch. The door shall be manufactured of the same material as the rear body panel and finished to match (treadplate, painted, chevron, etc.)

## ATTIC LADDER BRACKET:

One (1) attic ladder bracket shall be provided in the ladder storage area.

The ladder storage shall have the capacity to contain the following:

One (1) 26' 3-Section Ladder

One (1) 12' Roof Ladder with Hooks

One (1) 10' Attic Ladder

Two (2) Pike Pole(s)

### **RUB RAILS:**

Bolt on black poly rub rails shall be installed, below the compartment doors. Said rub rails will be fabricated of black poly material, mounted to the body surface utilizing ¼" plastic spacers.

The rub rails shall incorporate the LED ground lights and LED lower warning lights. Each light strip shall run the full length of each rub rail.

### **DURATILE TILE ON FLOOR:**

The floor of each main body compartment shall be covered with black Duratile Tile.

### **TANK:**

#### **BOOSTER TANK:**

The tank shall have a capacity of 750 US gallons complete with a lifetime warranty.

The tank shall be constructed of ½" thick PT2E polypropylene sheet stock. This material shall be non-corrosive stress relieved thermo-plastic and U.V. stabilized for maximum protection.

The booster tank shall be of a specific configuration and so designed to be completely independent of the body and compartments. All joints and seams shall be nitrogen welded and tested for maximum strength and integrity. The transverse swash partitions shall be manufactured of 3/8" PT2E polypropylene (natural in color) and extend from approximately 4" off the floor to just under the cover. The longitudinal swash partitions shall be constructed of 3/8" PT2E polypropylene (natural in color) and extend from the floor of the tank through the cover to allow for positive welding and maximum integrity. All partitions shall be equipped with vent and air holes to permit movement of air and water between compartments. The partitions shall be designed to provide maximum water flow. All swash



partitions interlock with one another and are welded to each other as well as to the walls of the tank.

## FILL TOWER AND COVER

The tank will have a combination vent and manual fill tower. The fill tower will be constructed of ½" PT2E polypropylene and shall be a minimum dimension of 8" x 8" outer perimeter. The tower will be located in the left front corner of the tank. The tower will have a ¼" thick removable polypropylene screen and a PT2E polypropylene hinged type cover. Inside the fill tower, approximately 4" down from the top, shall be fastened a combination vent overflow pipe. The vent overflow shall be a minimum of schedule 40 polypropylene pipe with a minimum I.D. of 4" that is designed to run through the tank and shall be piped behind the rear wheels.

The tank cover is constructed of ½" thick PT2E polypropylene and UV stabilized, to incorporate a multi three-piece design which allows for individual removal and inspection if necessary. The tank cover will be recessed 3/8" from the top of the tank and shall be welded to both sides and longitudinal partitions for maximum integrity. Each one of the three covers will have hold-downs consisting of 2" polypropylene dowels spaced a maximum of 30" apart. These dowels will extend through the covers and be welded to the transverse partitions. This will assist in keeping the cover rigid under fast filling conditions. A minimum of two (2) lifting dowels shall be drilled and tapped ½" x 13" to accommodate the lifting eyes.

## SUMP

There will be one (1) sump standard per tank. The sump shall be constructed of ½" PT2E polypropylene and be located in the left front quarter of the tank. The sump will have a minimum 3" NPT threaded outlet on the bottom for a drain plug. This shall be used as a combination cleanout and drain. All tanks shall have an anti-swirl plate located approximately 2" above the sump.

## OUTLETS

There will be two (2) standard tank outlets: one for the tank to pump suction line which will be a minimum of a 3" NPT coupling and one for a tank fill line which will be a minimum of a 2" NPT coupling. All tank fill couplings will be backed with flow deflectors to break up the stream of water entering the tank, and be capable of withstanding sustained fill rates of up to 1000 GPM. All auxiliary outlets and inlets must meet all NFPA guidelines in effect at the time of manufacture.

## MOUNTING

The tank shall rest on the body cross members with an unsupported area not to exceed 530 sq. inches on tanks up to 40" in height. On tanks over 40" in height, an unsupported area of not more than 400 sq.

inches must be maintained. All tanks shall be isolated from the cross members through the use of hard rubber strips with, a minimum thickness and width dimension of .250 x 2" and a minimum Rockwell hardness of 60 durometer. Additionally, the tank must be supported around the entire bottom outside perimeter and captured both front and rear as well as side to side to prevent the tank from shifting during vehicle operation. A picture frame type cradle mount shall be utilized with a minimum of 2" x 2" x .250 structural material.

Although the tank is designed on the free-floating suspension principle, it shall be required that the tank have hold down restraints half way between the front and the rear of the tank. The restraints shall be mounted to the side walls of the hose bed and extend down so that they rest approximately 1/2" above the top of the tank. The tank shall be completely removable without disturbing or dismantling the apparatus structure.

Upon final apparatus delivery, proper evidence and certifications shall be presented indicating the tank has the capacity of flow to the pump 80% of its rated capacity at a flow rate of 750 GPM.

## **12 VOLT ELECTRICAL:**

### **ELECTRICAL WARRANTY:**

Alexis Fire Equipment Co., Inc. warrants each new piece of Alexis fire and rescue apparatus to be free from defects in material and workmanship under normal use and service. Our obligation under this warranty is limited to repairing or replacing, as the company may elect, any part or parts thereof which shall be returned to us with transportation charges prepaid, and as to which examination shall disclose to the company's satisfaction to have been defective, provided that such part, or parts shall be returned to us within seven (7) years or 50,000 miles after delivery of such vehicle. Such defective part or parts will be repaired or replaced free of charge and without charge for installation to the original purchaser.

Items specifically covered are:

- Electrical harnesses and harness installation
- Printed circuit board
- Switches, circuit breakers and relays

Items excluded are:

- Chassis electrical systems and components installed by chassis manufacturer
- Separately manufactured items installed by Alexis Fire Equipment including, but not limited to; batteries, sirens, battery chargers, inverters, lightbars and similar equipment. (These are covered by warranties supplied by the manufacturer of the components).
- Periodic tightening and cleaning of connection terminals as this is considered routine maintenance

- Normal wear, abuse, accident, negligence or un-approved alteration of original parts.

Should repairs become necessary under the terms of this warranty, the extent of that repair shall be determined solely by Alexis Fire Equipment and shall be performed solely by Alexis Fire Equipment or a repair facility designated by Alexis. The expense of any transportation to or from such repair facility shall be that of the purchaser and is not an item covered by this warranty.

Alexis Fire Equipment reserves the un-restricted right at any time to make changes in design of and/or improvements on its products without thereby imposing any obligation on itself to make corresponding changes or improvements in or on its products theretofore manufactured.

## **12 VOLT ELECTRICAL SYSTEM:**

Our electrical system is engineered to provide many years of dependable, trouble free service.

The 12 volt apparatus wiring shall be completely independent of the chassis electrical system. The system shall incorporate a state-of-the-art electrical distribution center. The center shall include a microprocessor, automatic reset circuit breakers, and switching relays.

The microprocessors are housed in a weather resistant enclosure. All processors are fully tested, and modern production processes guarantee long-term reliability in the most rigorous environments. The microprocessors handle the numerous switching functions without the excessive use of relays and the need for excess wiring.

The system can be expanded by adding additional processors and required components to meet desired specifications.

The weather tight modular service center shall be placed in a water-tight compartment in the apparatus body. The service center housing shall be manufactured of aluminum and shall incorporate an access door. Since the microprocessor is of weather resistant design and enclosed in the service center, the electrical system has redundant protection against moisture and corrosion. Redundant protection from the elements dramatically improves reliability and durability.

Wiring harnesses shall be custom made for each truck. Each harness shall be encased in a split barrel, nylon type loom which will be moisture resistant and flame resistant to a minimum of 280° F. Loop outs shall be made at the harness factory utilizing sealed sonic weld technology instead of open-ended butt splicing. The harnesses shall feature Deutsch heavy duty all metal connectors.

Unlike terminal strips, binding post and other open-wiring systems, the Deutsch HD series is a completely sealed unit. The elimination of open wiring systems does away with contamination from

moisture, dust, lubricating oils, road salt, and other environmental hazards encountered in heavy duty use. The connector shall provide a multiple keying system that positively prevents mis-mating and makes plug/receptacle coupling quick and easy. The modular harness system will allow for quick and efficient complete body transfer if needed.

An independent switching station shall be centrally located in the apparatus cab. The switches shall be of a rocker type illuminating design. Each switch shall be color coded, and include a description indicating its intended use. Each switch shall be removable for service and replacement. Each switch shall be rated at 10 amp at 250 volts AC and shall act as inputs for the microprocessor.

All electrical circuit feeder wiring supplied and installed by the apparatus manufacturer shall be stranded copper alloy conductors of a gauge rated to carry 125% of the maximum current for which the circuit is protected. Insulation shall be in accordance with SAE J1128, low tension primary cable, type SXL or GXL, and wired to SAE J1292, automobile, truck, truck-tractor, trailer and motor coach wiring, for such loading at the potential employed. Voltage drops in all wiring from the power source to the using device shall not exceed 10%. Overall covering of conductors shall be 280° F (143° C) minimum flame retardant, moisture resistant loom or braid. All connections shall be made with lugs or terminals mechanically secured to the conductors. Wiring shall be thoroughly secured in place and suitably protected against heat, oil, and physical damage. Wiring shall be color coded and printed with a circuit function code over each conductor's entire length.

Circuits shall be provided with properly rated low voltage over-current protective devices. Such devices shall be readily accessible and protected against excessive heat, physical damage and water spray, switches relays, terminals, and connectors shall have a direct current rating of 125% of maximum current for which the circuit is protected.

Wiring Diagrams: Two (2) destination effective wiring diagrams shall be furnished with the apparatus. The wiring diagrams shall incorporate notations to assist an individual with limited electrical experience in the service of the apparatus electrical system.

NOTE: All wiring and components shall meet or exceed current N.F.P.A. codes.

## **LOAD MANAGEMENT:**

The 12 volt load management functions shall be incorporated within the microprocessor based 12 Volt electrical system without the need for a separate load manager.

## **12 VOLT DISTRIBUTION CENTER:**

The 12 Volt distribution center shall be located in the L1 compartment on the front wall, behind an access panel. The access panel shall incorporate a laminated wiring diagram for ease of maintenance of the electrical system.

A 12 volt fan shall be provided in the distribution center to enhance the air flow around the electrical equipment. The fan shall be switched with the master switch.

### **ELECTRICAL SYSTEM PERFORMANCE TESTS:**

The apparatus low voltage electrical system shall be tested and certified per the current NFPA standard. The certification shall be delivered to the purchaser with the apparatus.

### **DOCUMENTATION:**

At the time of delivery, the manufacturer shall provide the following:

- (a) Documentation of the electrical system performance tests;
- (b) A written load analysis, including:
  - 1. The nameplate rating of the alternator;
  - 2. The alternator rating;
  - 3. Each component load comprising the minimum continuous load;
  - 4. Additional loads that, when added to the minimum continuous load, determine the total connected load;
  - 5. Each individual intermittent load.

### **RADIO:**

One (1) radio(s) shall be installed by the customer after receipt of the completed apparatus.

No radio wiring shall be supplied in the console area.

### **OPTICAL WARNING SYSTEM:**

The optical warning system on the fire apparatus shall be capable of two separate signaling modes during emergency operations. One mode shall signal to drivers and pedestrians that the apparatus is responding to an emergency and is calling for the right-of-way. The other mode shall signal that the apparatus is stopped and is blocking the right-of-way.

### **EMERGENCY WARNING LIGHTS:**

For the purpose of defining and measuring the required optical performance, the apparatus shall be divided into four warning zones. The four zones shall be determined by drawing lines through the geometric center of the apparatus at 45° to a line lengthwise of the apparatus through the geometric center. The four zones shall be designated A, B, C, and D in a clockwise direction with zone A to the front of the apparatus. Each zone shall have an upper and lower warning level.

Effective coverage of all four zones, both upper and lower, as required by the latest NFPA Edition shall be provided.

## **LIGHTBAR:**

The lightbar shall be supplied on the chassis by the chassis manufacturer.

## **FRONT WARNING LIGHTS:**

The front warning lights shall be supplied on the chassis by the chassis manufacturer.

## **WARNING LIGHTS (SIDE):**

The rub rails on each side of the body shall incorporate integral outward facing Red LED strip lights. In addition to the Red LED strip light, the rub rail on each side ahead of the rear wheels shall incorporate one (1) Whelen Model MCRNTR Red Micron LED light. These lights shall be switched from the in cab switch panel.

## **WARNING LIGHTS (REAR UPPER):**

Two (2) Whelen Model L31HRFN Red LED beacon warning lights shall be mounted on the upper rear area of the vehicle, one (1) each side. These beacons shall be switched from the in cab switch panel. These beacons fill the requirements of Zone C Upper, Zone B Upper, and Zone D Upper.

## **WARNING LIGHTS (REAR):**

Two (2) Whelen Model M6R red LED lights shall be mounted on the lower rear area of the vehicle. These lights shall be switched from the in cab switch panel. These lights fill the requirements of Zone C Lower.

Each light shall be mounted utilizing a chrome plated flange.

Each light shall incorporate a colored lens.



**REAR DRIVING SIGNALS- WHELEN:**

The rear driving signals shall consist of six (6) lights; three (3) on each side of the apparatus. The signals shall be Whelen LED M6 Series M62BTT: Red-Brake/Tail, Whelen Series M62T: Amber Arrow-Turn. The back up light shall be Whelen LED Series M62BU. They shall be surface mounted in a 4-position housing with the lower level warning lights.

**TURN SIGNALS-MIDSHIP:**

One (1) S34 Series amber LED midship turn light shall be mounted on each side of the apparatus ahead of the rear wheels.

**ICC LIGHTING:**

Tecniq S34 Series LED Clearance lights shall be installed on the apparatus. They shall be hermetically sealed cartridge lights for ease of service and durability.

**LED REAR LICENSE PLATE BRACKET:**

There shall be a Cast Products LED license plate bracket provided at the rear of the apparatus.

**PUMP COMPARTMENT LIGHT:**

One (1) 5" T44 Series LED light shall be installed in the pump compartment. The light shall be switched with pump panel lights.

**HAZARD LIGHT:**

A red, LED flashing light located in the driving compartment shall be illuminated automatically whenever the apparatus parking brake is not fully engaged and any passenger or equipment compartment door is open, any ladder or equipment rack is not in the stowed position, a stabilizer system is deployed, a powered light tower is extended, or any other device is opened, extended, or deployed that creates a hazard or is likely to cause damage to the apparatus if the apparatus is moved. The light shall be marked "Do Not Move Apparatus When Light Is On".

**LED COURTESY LIGHTS (UNDER CARRIAGE LIGHTING):**

One (1) 5" 12-volt T44 Series LED light shall be located under each cab door and one (1) shall be located below the rear tail step in the center. All ground area lighting shall be controlled by the master



switch and shall be switched with the parking brake.

In addition to the 5" lights, clear LED strip lights shall be provided integral to the rub rails on each side. The strip lights shall face downward and be activated with the balance of the undercarriage lighting.

**LED TAILBOARD COURTESY LIGHTS:**

Two (2) S34 Series LED courtesy lights shall be mounted one (1) each side low on the rear panel. The lights shall illuminate the rear tailboard. They shall be switched with the parking brake.

**LED RUNNING BOARD COURTESY LIGHTS:**

One (1) S34 Series LED courtesy light shall be mounted on each side low on the front of the body. Each light shall illuminate the running board area. The lights shall be switched with the parking brake.

**FIRETECH 12-VOLT LED SCENE LIGHT(S):**

Two (2) FireTech FT-MB-2.18-FT-\* Double Stack 21" 19,008 lumen LED bar scene light(s) shall be mounted in the specified location(s). The lights shall be switched from the in-cab switching station.

Each Firetech Hi Viz scene light bar shall be surface mounted on the top of the body in the specified location.

Each Firetech Hi-Viz scene light shall be white in color.

SIDE SCENE LIGHT LOCATION(S): One (1) Each Side

**FIRETECH 12-VOLT LED SCENE LIGHT(S):**

Two (2) FireTech FT-MB-2.6-FT-\* 8" 6,336 lumen LED bar scene light(s) shall be mounted in the specified location(s). The lights shall be switched from the in-cab switching station.

Each Firetech Hi-Viz scene light shall be white in color.

REAR SCENE LIGHT LOCATION(S): On the Hinged Hose Bed Crossbar

**HOSEBED STRIP LIGHTING - LED:**

Two (2) E45 Series LED Strip lights shall be provided at the front of the apparatus hose bed. The lights shall be switched with the parking brake.



## **BACK-UP CAMERA INSTALLATION:**

The chassis supplied back-up camera shall be installed in the rear body panel, above the rear compartment door.

## **BRACKETING:**

## **RIGID STEP(S):**

Three (3) CPI Model 2016 rigid step(s) shall be furnished on the apparatus. Each step shall incorporate a raise open tread design with integrated hand hold. Each step shall be surface mounted in the specified location.

LOCATIONS: Rear

Each folding step shall have a chrome finish

## **GRAB HANDLES:**

Two (2) 12" knurled bright stainless steel 1¼" O.D. grab rails shall be installed vertically at the rear of the apparatus.

Each grab handle shall have a natural stainless steel finish

## **GRAB HANDLE:**

One (1) 36" knurled bright stainless steel 1¼" O.D. grab rail shall be installed horizontally below the apparatus hose bed.

Each grab handle shall have a natural stainless steel finish

## **WHEEL CHOCKS:**

One (1) pair of Ziamatic #2-SAC-44 folding wheel chocks shall be provided with the apparatus. The chocks shall be mounted in a location that is easily accessible.

## **FINISH:**

## **APPARATUS BODY FINISH:**

The final finish of the apparatus shall conform to fire apparatus standards, exhibiting excellent gloss durability and color retention properties.

## **PREPARATION:**

Since the removal of all contaminants and oxidation is essential to the final effect of a finish system, the apparatus shall be pre-cleaned with wax and grease remover and towel dried prior to evaporation.

A 10-step standard body preparation shall be completed.

When the substrate is prepared, the entire body shall be cleaned by washing again with wax and grease remover and towel dried.

## **PRETREAT AND PRIMERS:**

The pretreat and primer applications shall be made in two (2) independent steps. A application of a combined pretreat/primer product will not be allowed as a substitute.

The prepared substrate shall be pretreated with Acid Curing 2 Component Transparent Primer. This pretreat shall be designed to provide corrosion protection and to create an adhesive bond between the substrate and the surface applications.

To enhance adhesion and top coat gloss, a 2 component epoxy primer shall be applied.

All the primed surfaces shall be sanded smooth, thus removing all texture and surface imperfections and creating a finish base that will meet the rigid requirements of the fire and emergency services.

## **TOP COATS:**

Two (2) coats (0.5 - 2.0 mils) urethane base coat shall be applied in a professional manner. After the base coats have cured properly, two (2) coats of a high solids urethane clear coat shall be applied.

All surface imperfections shall be removed by buffing and polishing.

## **PAINT WARRANTY:**

The apparatus shall be covered by a ten -(10) year paint warranty. Following are the covered defects and exclusions.

Covered Defects shall include only the following list of defects:

- Peeling or delaminating of the topcoat and/or other layers of paint.
- Cracking or checking.
- Loss of gloss caused by cracking, checking or hazing.

Defects resulting from the following conditions are excluded from the Warranty:

- Hazing, chalking or loss of gloss caused by improper care, abrasive polishes, cleaning agents, heavy-duty pressure washing, or aggressive mechanical wash systems
- Rock chips are not covered under this warranty.
- Paint deteriorating caused by abuse, scratches, chips, gloss reduction, accidents, acid rain, chemical fallout or acts of nature
- Claims presented without proper Warranty documentation
- Failure on finishes performed by Non-PPG Commercial Certified Technicians
- Failures on finishes due to inadequate film builds
- Failures due to improper cleaning or surface preparation or failure to follow the product use instructions

The hose bed interior walls shall remain natural finish.

### **COMPARTMENT INTERIOR FINISH:**

The interior of the compartments shall be natural finish stainless steel

### **APPARATUS COLOR:**

The color of the apparatus shall be as follows:

COLOR: \_\_\_\_\_

### **CAB LETTERING:**

Vinyl lettering as described below shall be applied to the chassis cab door, one (1) each side. Each letter shall be 2½" to 3½" high and hand applied.

Vinyl letters/numbers shall be applied to the chassis cab fender area, one (1) each side. Each letter/number shall be 2½" to 3½" high and hand applied.

The lettering vinyl style shall be simulated gold leaf.



The lettering font style shall be Eurostile Bold.

The lettering font highlight type shall be shadow.

**LAMINATION WARRANTY:**

The apparatus shall be covered by a three (3) year warranty against defects in material and workmanship with the graphics process

**REFLECTIVE STRIPING:**

The finished apparatus shall be striped with 6" reflective Scotchlite striping.

The reflective striping shall be white in color.

**DIAMOND GRADE CHEVRON STRIPING:**

The rear of the apparatus shall be striped with Diamond Grade retro-reflective striping. The striping shall be applied in a chevron pattern sloping downward and away from the centerline of the apparatus at a 45° angle. The striping shall be applied in the following locations: vertical surfaces between the body panels at the rear, from the tailstep walkway to the hose bed

The striping shall be single color alternating between red #3992 and fluorescent yellow-green #3983.

**EQUIPMENT:**

One (1) bottle of touch up paint for each color on the apparatus

One (1) bag of hardware - nuts, bolts, drill, and tap.

One (1) Duo-Safety #10-585A aluminum folding 10' attic ladder(s).

One (1) Duo-Safety #12-775A, 12' Roof Ladder(s) with hooks

One (1) Duo-Safety #26-925A, 26' 3 Section ground ladder(s).

Two (2) 10' Length(s) of 6" diameter hard suction hose, coupled 6" LHF x 6" RLM. (Not rated for hydrants)



**NFPA EQUIPMENT CLARIFICATION:**

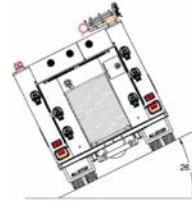
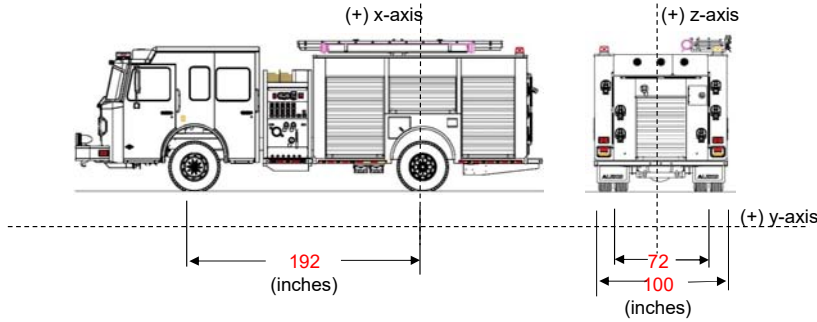
Any equipment specified in the “Minor Equipment” section (e.g. hose, nozzles, adapters, AED, traffic cones, traffic safety vests, etc.) of NFPA 1901 for each apparatus classification (see below) which is not specified in this proposal shall be considered to be customer supplied and installed.

<b>Apparatus Type</b>	<b>NFPA Section</b>
Pumper	5.8
Initial Attack	6.7
Mobile Water Supply	7.7
Aerial	8.8
Quint	9.8
Special Service	10.5
Mobile Foam	11.9

VERTICAL CENTER OF GRAVITY / WEIGHT DISTRIBUTION

DWG NO. PH-A06

5/9/2024



Contract No: 2634  
 Proposal Name: Alexis Fire Equipment  
 Calculated By: C.Shuck  
 Revision: 0  
 Type of Chassis: Spartan Metro Star MFD  
 Type of Pump: Darley PSM 1500 gpm  
 Cab to Axle: 138  
 Tank Capacity: 750 Water  
0 Foam

Item	Weight (lbs)	Coordinates Local C.G. (in)			% Rear	Weight (lbs)		% Left	Right	Left
		z	x	y		Front	Rear			
Chassis	18149	0	150	43	22%	14199	3950	50%	9075	9075
Poly Tank (w/water)	6937.5	0	9.2	69.6	95%	332	6605	50%	3469	3469
Officer & Driver	500	0	219	63.3	-14%	570	-70	50%	250	250
Men & Equip.	1000	0	152	63.3	21%	792	208	50%	500	500
Body Module	3028	0.00	-13.75	60.56	107%	-217	3245	50%	1514	1514
Subframe	1133	0	-6	34	103%	-35	1169	50%	567	567
Add. Equip. front	1161	0.00	43.625	61.6	77%	264	897	50%	580	580
Add. Equip. rear	839	0.00	-57.375	61.6	130%	-251	1090	50%	420	420
Hose bed	1000	0	-44.35	91.8	123%	-231	1231	50%	500	500
Pump module	2223	0	97.875	60.8	49%	1133	1090	50%	1112	1112
Pump	1636	0	72.1	44	62%	614	1022	50%	818	818
					0%			0%		
Ladder Storage	170	27.625	-13.375	83	107%	-12	182	36%	108	62
Suction Hose Storage	120	0	-13.675	105	107%	-9	129	50%	60	60
Front Bumper	200	0	281	30.1	-46%	293	-93	50%	100	100
Hose Bed Crossbar	50	0	87	114.4	55%	23	27	50%	25	25
					0%			0%		
					0%			0%		
					0%			0%		
					0%			0%		
					0%			0%		
					0%			0%		
					0%			0%		
					0%			0%		
					0%			0%		
					0%			0%		
					0%			0%		
					0%			0%		
					0%			0%		
					0%			0%		
Total	38146.9375	<b>Global Center of Gravity</b>				17466	20681		19097	19050
GAWR	47000	z	x	y		20000	27000			
Load as % of Total	100%	0.1	87.9	53.5		46%	54%		50%	50%
						OK	OK		TRUE	

Truck Tipping Angle: **34** degrees (Full Water Tank) **OK**  
 Maximum vertical center of gravity "z" = **57.60** **OK**  
 (Maximum "z" is 80% of the rear axle track width)



# HOSE CAPACITIES

DWG NO.

PH-A06

5/9/2024

Customer Alexis Fire Equipment  
Calculated By C.ShuckContract No. 2634  
Rev. No. 0**HOSE BED**Length 85  
Width 56  
Height 49  
Cu. Ft. 134.98 0.00Total 134.98

## Hose

Size 5  
Amount 1000  
DF 96 0 0 0 0  
Cu. Ft. 55.56 0.00 0.00 0.00 0.00Total 55.56Need 61.11**MATTYDALES**Length 73 73 73  
Width 4.5 4.5 5  
Height 27 27 27  
Cu. Ft. 5.13 5.13 5.70Total 15.97

## Hose

Size 1 3/4 1 3/4 2 1/2  
Amount 200 200 150  
DF 26 26 41  
Cu. Ft. 3.01 3.01 3.56Total 9.58**CARTRIDGE LAYS**Length  
Width  
Height  
Cu. Ft. 0.00 0.00 0.00Total 0.00

## Hose

Size  
Amount  
DF 0 0 0  
Cu. Ft. 0.00 0.00 0.00Total 0.00**HOSE TRAYS**Length 34 26  
Width 9 17  
Height 10 12  
Cu. Ft. 1.77 3.07 0.00Total 4.84

## Hose

Size 1 3/4 1 3/4  
Amount 100 200  
DF 26 26 0  
Cu. Ft. 1.50 3.01 0.00Total 4.51**HOSE WELLS**Length  
Width  
Height  
Cu. Ft. 0.00 0.00 0.00Total 0.00

## Hose

Size  
Amount  
DF 0 0 0  
Cu. Ft. 0.00 0.00 0.00Total 0.00**Standard Hose Dimensions per NFPA (2003 Edition)**

1 3/4" lays 3 1/4" wide	DF=	26	1" FORESTRY lays 1 3/4" wide	DF=	10
2" (ANGUS) lays 3 3/4" wide	DF=	32	1 1/2" FORESTRY 2 1/2" wide	DF=	14
2 1/2" lays 4 1/2" wide	DF=	41			
3" lays 5 1/4" wide	DF=	50			
4" lays 6 1/2" wide	DF=	58			
5" lays 8" wide - Angus	DF=	96			
5" lays 8-1/2" wide - Cotton	DF=	102			
6" lays 9 1/2" wide	DF=	108			



# COMPARTMENT SPACE CALCULATOR

DWG NO.

**PH-A06**

5/9/2024

Department Name:

**Alexis Fire Equipment**

Calc. By:

**C.Shuck**

Contract Number:

**2634**

Rev. Number:

Compartment	Width	Height	Depth	Cubic Feet
L1 UPPER	<b>54.8000</b>	<b>36.2625</b>	<b>12.0000</b>	13.7999
L1 LOWER	<b>54.8000</b>	<b>32.3000</b>	<b>25.0000</b>	25.6082
L2	<b>63.8500</b>	<b>36.1875</b>	<b>12.0000</b>	16.0456
L3 UPPER	<b>27.3000</b>	<b>36.2625</b>	<b>12.0000</b>	6.8748
L3 LOWER	<b>27.3000</b>	<b>32.3000</b>	<b>25.0000</b>	12.7574
R1 UPPER	<b>54.8000</b>	<b>36.2625</b>	<b>12.0000</b>	13.7999
R1 LOWER	<b>54.8000</b>	<b>32.3000</b>	<b>25.0000</b>	25.6082
R2	<b>63.8500</b>	<b>36.1875</b>	<b>12.0000</b>	16.0456
R3 UPPER	<b>27.3000</b>	<b>36.2625</b>	<b>12.0000</b>	6.8748
R3 LOWER	<b>27.3000</b>	<b>32.3000</b>	<b>25.0000</b>	12.7574
REAR	<b>41.5000</b>	<b>26.3125</b>	<b>21.0000</b>	13.2705

TOTAL in CUBIC FT.

**163.44**



# Quotation

			Description	Spec Page
<b>VEHICLE</b>				
S	0100-011	<b>MODEL</b>	Metro Star	12
O	8012-022	<b>CUSTOMERS / OEMS</b>	Alexis Fire (08900)[1000004]	
S	8011-024	<b>MODEL YEAR</b>	Model Year - 2024	12
S	8001-001	<b>COUNTRY OF SERVICE</b>	Country of Service United States Of America	12
S	8017-009	<b>CAB AND CHASSIS LABELING LANGUAGE</b>	Cab and Chassis Labeling Language English w/Innovative Controls Labels	12
S	8006-009	<b>APPARATUS TYPE</b>	Apparatus Type Pumper	12
S	8008-001	<b>VEHICLE TYPE</b>	Vehicle Type Straight Truck	12
S	8008A-000	<b>VEHICLE ANGLE OF APPROACH PACKAGE</b>	Vehicle Angle of Approach NFPA Minimum 8.00 Degrees	12
S	0104-001	<b>AXLE CONFIGURATION</b>	Axle Configuration 4x2 (Rear Axle Drive Only)	13
S	0101-003	<b>GROSS AXLE WEIGHT RATINGS FRONT</b>	GAWR Front 20000#	13
S	0102-004	<b>GROSS AXLE WEIGHT RATINGS REAR</b>	GAWR Rear 27000#	13
S	8010-201	<b>PUMP PROVISION</b>	Pump Provision Driveline Midship, Pump Mode Prog w/Auto Park Brake "N"	13
O	8009-004	<b>WATER &amp; FOAM TANK CAPACITY</b>	Water & Foam Tank Capacity Up to 750 Gallons	13
<b>CAB</b>				
S	1000-004	<b>CAB STYLE</b>	Cab Style MFD 10" Raised Roof	14
S	1501-002	<b>CAB FRONT FASCIA</b>	Cab Frt Fascia Classic	15
S	1518-025	<b>FRONT GRILLE</b>	Cab Frt Grille Hinged Classic Styled	15
S	1551-002	<b>CAB UNDERCOAT</b>	Cab Undercoat	15
S	1552-002	<b>CAB SIDE DRIP RAIL</b>	Cab Side Drip Rail	15
O	1521-002	<b>CAB PAINT EXTERIOR</b>	Cab Paint Exterior Two Tone	15
O	1533-001	<b>CAB PAINT PROCESS/MANUFACTURER</b>	Cab Paint Process/Manufacturer PPG	16
O	1522-076	<b>CAB PAINT PRIMARY/LOWER COLOR</b>	Cab Paint Primary/Lower Color PPG Red FBCH 71096	16
O	1539-005	<b>SHIPLOOSE PAINT</b>	Shiploose Paint (2) Gallon Primary/Lwr Color/(1) Gallon Secondary/Upr Color	16
O	1523-013	<b>CAB PAINT SECONDARY/UPPER COLOR</b>	Cab Paint Sec/Upper Color PPG Black FBCH 9000	16
O	1524-002	<b>CAB PAINT EXTERIOR BREAKLINE</b>	Cab Paint Exterior Breakline Classic	16
O	1515-005	<b>CAB PAINT PINSTRIPE</b>	Cab Paint Pinstripe 1/2" Black Temporary	16
O	1519-005	<b>CAB EXTERIOR ROLL-UP DOOR FINISH</b>	Cab Exterior Roll-up Door Finish Satin	17
O	8013-056	<b>CAB PAINT WARRANTY</b>	Cab Paint Warranty (10) Year RFW0710	17
S	1334-036	<b>CAB PAINT INTERIOR</b>	Cab Paint Int Multi-tone Silver Gray	17
S	1005-001	<b>CAB ENTRY DOORS</b>	Cab Entry Doors (4)	17

S	1101-101	<b>CAB ENTRY DOOR TYPE</b>	Cab Entry Door Type Full Length w/Pollak Switches	17
S	1322-007	<b>CAB INSULATION</b>	Cab Insulation Nonwoven Polyester Fiber	17
O	1556-002	<b>LH MID EMS COMPARTMENT</b>	LH Mid EMS Compartment 43"H	17
O	1558-003	<b>LH MID EMS COMPARTMENT EXTERIOR ACCESS</b>	LH Mid EMS Cmpt Ext Access ROM Rollup Dr	17
O	1560-002	<b>LH MID EMS COMPARTMENT INTERIOR</b>	LH Mid EMS Cmpt Interior Solid Wall No Access	18
O	1557-002	<b>RH MID EMS COMPARTMENT</b>	RH Mid EMS Compartment 43"H	18
O	1559-003	<b>RH MID EMS COMPARTMENT EXTERIOR ACCESS</b>	RH Mid EMS Cmpt Ext Access ROM Rollup Dr	18
O	1561-003	<b>RH MID EMS COMPARTMENT INTERIOR</b>	RH Mid EMS Cmpt Interior Solid Wall Rear Access	18
O	1563-006	<b>RH MID EMS COMPARTMENT INTERIOR ACCESS</b>	RH Mid EMS Cmpt Interior Access Cargo Net	18
O	5384-002	<b>MID EMS COMPARTMENT LIGHTING</b>	Mid EMS Compartment Lighting LED	18
O	1535-016	<b>MID EMS COMPARTMENT EXTERIOR FINISH</b>	Mid EMS Cmpt Ext Finish Multi-tone Silver Gray	18
O	1536-002	<b>MID EMS COMPARTMENT INTERIOR FINISH</b>	Mid EMS Cmpt Interior Finish DA Sand	18
S	8004-033	<b>CAB STRUCTURAL WARRANTY</b>	Cab Structural Warranty (10) Year RFW0602	18
S	9001-006	<b>CAB TEST INFORMATION</b>	Cab Test Information Crash Test ECE-R29/SAE J2420/SAE J2422	19

## **ELECTRICAL POWER DISTRIBUTION**

S	5000-018	<b>ELECTRICAL SYSTEM</b>	Elec System 12V DC Multiplex	19
S	5004-002	<b>LOAD MANAGEMENT SYSTEM</b>	Load Management System Multiplex	19
S	5622-003	<b>DATA RECORDING SYSTEM</b>	Data Recording Sys Vehicle Data Weldon MUX	19
S	5031-005	<b>ACCESSORY POWER</b>	Accessory Pwr & Gnd Stud 40A Batt Dir & 15A Ign Sw & 225A Batt Dir OEM Conn	20
S	5011-001	<b>EXTERIOR ELECTRICAL TERMINAL COATING</b>	Exterior Electrical Terminal Coating Spray On Plasti Dip	20
S	8014-002	<b>ELECTRICAL SYSTEM WARRANTY</b>	Electrical System Warranty (2) Year RFW0202	20

## **ENGINE**

S	1701-168	<b>ENGINE</b>	Engine Diesel 450HP Cummins L9 - EPA 2021-26	20
S	1329-001	<b>CAB ENGINE TUNNEL</b>	Cab Engine Tunnel Small/Medium	21
S	1731-002	<b>DIESEL PARTICULATE FILTER CONTROLS</b>	DPF Ctrl Regeneration Sw & Inhibit Sw	21
S	1718-002	<b>ENGINE PROGRAMMING HIGH IDLE SPEED</b>	Engine Programming High Idle Speed 1250 RPM	21
O	1719-004	<b>ENGINE HIGH IDLE CONTROL</b>	Engine High Idle Ctrl Automatic and Manual	21
S	1710-001	<b>ENGINE PROGRAMMING ROAD SPEED GOVERNOR</b>	Engine Programming Road Speed Governor Enabled	21
S	1713-010	<b>AUXILIARY ENGINE BRAKE</b>	Aux Engine Brake Compression Brake w/VG Turbo	21
O	1708-004	<b>AUXILIARY ENGINE BRAKE CONTROL</b>	Aux Engine Brake Ctrl On/Off & Low/Med/High Sw Pnl	22
S	1720-003	<b>ELECTRONIC ENGINE OIL LEVEL INDICATOR</b>	Elec Engine Oil Level Indicator	22
S	1715-001	<b>FLUID FILLS</b>	Fluid Fills Fwd For Med Displacement Cap	22

S	1735-001	<b>ENGINE DRAIN PLUG</b>	Engine Drain Plug	22
S	8002-001	<b>ENGINE WARRANTY</b>	Engine Warranty Cummins (5) Year/100,000 Miles	22
S	1707-116	<b>REMOTE THROTTLE HARNESS</b>	Rmt Throttle Harness Cab Harness Only Shift Interlock	22
S	1721-001	<b>ENGINE PROGRAMMING REMOTE THROTTLE</b>	Engine Program Rmt Throttle Off	23
S	1727-001	<b>ENGINE PROGRAMMING IDLE SPEED</b>	Engine Programming Idle Speed 700 RPM	23

## **AIR INTAKE**

---

S	2801-010	<b>ENGINE AIR INTAKE</b>	Engine Air Intake Filtration and Restriction w/Replaceable Element Abv Radiator	23
---	----------	--------------------------	---	----

## **COOLING**

---

S	2704-016	<b>ENGINE FAN DRIVE</b>	Engine Fan Drive Variable Speed	23
S	2701-021	<b>ENGINE COOLING SYSTEM</b>	Engine Cooling System Serial Flow w/Package Drop-Out Prov	23
S	2711-005	<b>ENGINE COOLING SYSTEM PROTECTION</b>	Engine Cooling System Protection Light Duty Skid Plate Paint Frame Color	24
S	2708-001	<b>ENGINE COOLANT</b>	Engine Coolant Extended Life	24
S	2706-003	<b>ELECTRONIC COOLANT LEVEL INDICATOR</b>	Elec Low Coolant Level Indicator	25
S	2709-001	<b>COOLANT HOSES</b>	Coolant Hoses Silicone	25
S	2710-005	<b>ENGINE COOLANT OVERFLOW BOTTLE</b>	Engine Coolant Overflow Expansion Bottle	25
S	2705-002	<b>ENGINE PUMP HEAT EXCHANGER</b>	Engine Pump Heat Exchanger	25

## **EXHAUST**

---

S	2901-067	<b>ENGINE EXHAUST SYSTEM</b>	Eng Exhaust Sys Under Frm RH Single Module Aftertreatment Outboard	25
S	2907-003	<b>DIESEL EXHAUST FLUID TANK</b>	Diesel Exhaust Fluid Tank LH 6 Gal Fill Thru Rr Step	25
S	2902-010	<b>ENGINE EXHAUST ACCESSORIES</b>	Engine Exhaust Acc Temp Mitigation	26
S	2906-002	<b>ENGINE EXHAUST WRAP</b>	Engine Exhaust Wrap	26
S	8018-002	<b>EMISSIONS SYSTEM WARRANTY</b>	Emissions System Warranty (5) Year/100,000 Miles RFW0140	26

## **TRANSMISSION**

---

S	1801-015	<b>TRANSMISSION</b>	Transmission Allison 3000 EVS	26
O	1806-002	<b>TRANSMISSION MODE PROGRAMMING</b>	Transmission Mode Programming 5th Startup/5th Mode	26
S	1811-004	<b>TRANSMISSION FEATURE PROGRAMMING</b>	Transmission Feature Programming Allison Gen 5 & 6-E I/O Package 198/Pumper	27
S	1807-005	<b>TRANSMISSION SHIFT SELECTOR</b>	Transmission GEN 5 & 6-E Shift Sel Key Pad/Push Button	27
S	1815-002	<b>ELECTRONIC TRANSMISSION OIL LEVEL INDICATOR</b>	Elec Transmission Oil Level Indicator	27
S	1814-002	<b>TRANSMISSION PRE-SELECT WITH AUXILIARY BRAKE</b>	2nd Gear Pre-Select	27
S	1808-007	<b>TRANSMISSION COOLING SYSTEM</b>	Transmission Cooling System	27
S	1817-001	<b>TRANSMISSION DRAIN PLUG</b>	Transmission Drain Plug	28
S	8005-001	<b>TRANSMISSION WARRANTY</b>	Transmission Warranty Allison (5) Year	28

## POWER TAKE OFF

---

S	2005-009	<b>PTO LOCATION</b>	PTO Location 8:00/4:00	28
---	----------	---------------------	------------------------	----

## DRIVELINE

---

S	3001-014	<b>DRIVELINE</b>	Driveline MSI 1710 w/Meritor U-Joints w/Thrust Washers	28
S	3005-002	<b>MIDSHIP PUMP / GEARBOX</b>	Midship Pump Jackshaft Only	28
O	3008-138	<b>MIDSHIP PUMP / GEARBOX MODEL</b>	Midship Pump/Gearbox Model Hale QMAX-XS Fwd	28
O	3048-004	<b>MIDSHIP PUMP GEARBOX DROP</b>	Midship Driveline Pump Gearbox Drop Hale "LG"	28
O	3009-020	<b>MIDSHIP PUMP RATIO</b>	Midship Pump Ratio 2.28:1 (23)	28
O	3010-1110	<b>MIDSHIP PUMP LOCATION C/L SUCTION TO C/L REAR AXLE</b>	Midship Pump Location C/L Suction to C/L Rear Axle 111.0"	28
O	5013-032	<b>PUMP SHIFT CONTROLS</b>	Pump Shift Ctrl Air Ctrl Integrated Shifter Pod	29
O	3049-003	<b>PUMP SHIFT CONTROL PLUMBING</b>	Pump Shift Control Plumbing Pre-Plumb Elec/Air	29

## FUEL SYSTEMS

---

S	3109-067	<b>FUEL FILTER/WATER SEPARATOR</b>	Fuel Filter/Wtr Separator Fleetguard FS20121 w/Lt & Alarm	29
S	3111-001	<b>FUEL LINES</b>	Fuel Lines Nylon	29
O	3104-012	<b>FUEL SHUTOFF VALVE</b>	Fuel Shutoff Valve at Tank and (2) at Primary Filter	29
S	3103-008	<b>ELECTRIC FUEL PRIMER</b>	Electric Fuel Primer Engine Sply Electric Lift Pump	29
S	3101-101	<b>FUEL TANK</b>	Fuel Tank 50 Gallon	30
S	3130-001	<b>FUEL TANK MATERIAL AND FINISH</b>	Fuel Tank Material Steel & Finish Painted Frame Components Color	30
S	3131-001	<b>FUEL TANK STRAP MATERIAL AND FINISH</b>	Fuel Tank Strap Material Steel & Finish Painted Frame Components Color	30
S	3102-007	<b>FUEL TANK FILL PORT</b>	Fuel Tank Fill Port LH Rwd/RH Mid	30
S	3115-002	<b>FUEL TANK DRAIN PLUG</b>	Fuel Tank Drain Plug Magnetic	30

## FRONT AXLE

---

S	2401-003	<b>FRONT AXLE</b>	Frnt Axle Meritor MFS 20000# Beam	30
S	8059-022	<b>FRONT AXLE WARRANTY</b>	Front Axle Warranty Meritor 2024	31
S	2405-001	<b>FRONT WHEEL BEARING LUBRICATION</b>	Frnt Wheel Bearing Lube Oil	31

## FRONT SUSPENSION

---

S	2502-002	<b>FRONT SHOCK ABSORBERS</b>	Frnt Shock Absorbers Bilstein	31
S	2501-016	<b>FRONT SUSPENSION</b>	Frnt Suspension 10 Leaf 20000-21500#	31

## STEERING

---

S	2601-006	<b>STEERING COLUMN/WHEEL</b>	Steering Column/Wheel Tilt/Telescopic 18" 4 Spoke	31
S	2609-002	<b>ELECTRONIC POWER STEERING FLUID LEVEL INDICATOR</b>	Elec Power Steering Fluid Level Indicator	32
S	2603-011	<b>POWER STEERING PUMP</b>	Power Steering Pump TRW w/Passive Cooler	32
S	2606-009	<b>FRONT AXLE CRAMP ANGLE</b>	Front Axle Cramp Angle 48L/44R Degrees	32
S	2610-003	<b>POWER STEERING GEAR</b>	Power Steering Gear TRW TAS 65 w/Assist	32

S	2608-001	<b>CHASSIS ALIGNMENT</b>	Chassis Alignment	32
---	----------	--------------------------	-------------------	----

## **REAR AXLE**

---

S	3401-003	<b>REAR AXLE</b>	Rear Axle 27000# Meritor RS-25-160	32
S	3403-001	<b>REAR AXLE DIFFERENTIAL LUBRICATION</b>	Rear Axle Differential Lubrication Oil	32
S	8061-019	<b>REAR AXLE WARRANTY</b>	Rear Axle Warranty Meritor 2024	32
S	3411-001	<b>REAR WHEEL BEARING LUBRICATION</b>	Rear Wheel Bearing Lubrication Oil	33
S	3408-008	<b>VEHICLE TOP SPEED</b>	Vehicle Top Speed 68 MPH	33
S	3410-001	<b>REAR AXLE EXTERNAL VENT</b>	Rear Axle External Vent OEM Housing Breather	

## **REAR SUSPENSION**

---

S	3501-032	<b>REAR SUSPENSION</b>	Rear Susp Reyco 79KB Spring 21000-31500# Conventional	33
---	----------	------------------------	---	----

## **TIRES**

---

S	3625-002	<b>TIRE INTERMITTENT SERVICE RATING</b>	Tire Intermittent Service Ratings Acceptable	33
S	3601-045	<b>FRONT TIRE</b>	Frt Tire 315/80R 22.5 Michelin XZUS 2	33
S	3602-012	<b>REAR TIRE</b>	Rear Tire 12R 22.5 Michelin XDN2	33
O	3413-513	<b>REAR AXLE RATIO</b>	Rear Axle Ratio 5.13	34
S	3614-030	<b>TIRE PRESSURE INDICATOR</b>	Tire Pressure Ind Frt & Rr LED	34

## **WHEELS**

---

S	3701-036	<b>FRONT WHEEL</b>	Frt Wheel Alcoa 22.5 x 9.00 Alum	34
S	3703-061	<b>REAR WHEEL</b>	Rr Whl Alcoa 22.5 x 8.25 Alum	34

## **BRAKES**

---

O	3205-044	<b>BRAKE SYSTEM</b>	Brake System ABS/ATC Sgl Axle	34
O	3206-001	<b>FRONT BRAKES</b>	Frt Brakes S-Cam Drum 16.5" x 6"	35
S	3207-005	<b>REAR BRAKES</b>	Rr Brakes S-Cam Drum 16.5" x 7" Cast Iron Shoe	35
S	3208-001	<b>PARK BRAKE</b>	Prk Brake Rr Wheels Only	35
S	3204-029	<b>PARK BRAKE CONTROL</b>	Prk Brake Ctrl LH Tunnel Mnt, Integrated w/Shift Pod, Adjacent To Trans Shifter	35
O	3213-001	<b>FRONT BRAKE SLACK ADJUSTERS</b>	Frt Brake Slack Adjusters Meritor	35
S	3214-001	<b>REAR BRAKE SLACK ADJUSTERS</b>	Rr Brake Slack Adjusters Meritor	36
S	3202-001	<b>AIR DRYER</b>	Air Dryer Wabco System Saver 1200 Bhd RH Step	36
O	3215-001	<b>FRONT BRAKE CHAMBERS</b>	Frt Brake Chambers MGM Type 30	36
S	3210-015	<b>REAR BRAKE CHAMBERS</b>	Rr Brake Chambers TSE 30/36 Long Stroke	36

## **AIR SUPPLY SYSTEMS**

---

S	3320-001	<b>AIR COMPRESSOR</b>	Air Compressor Wabco SS318 18.7 CFM	36
S	3339-004	<b>AIR GOVERNOR</b>	Air Governor Mnt on Air Dryer Bracket	36
S	3303-001	<b>MOISTURE EJECTORS</b>	Moisture Ejectors Manual	36
S	3307-101	<b>AIR SUPPLY LINES</b>	Air Sply Lines Nylon w/PTC Fittings	36

S	3338-002	<b>REAR AIR TANK MOUNTING</b>	Rear Air Tank Mnt Any Bhd Rear Axle Perpendicular w/Frame	37
---	----------	-------------------------------	---	----

## FRAME

---

O	2103-1950	<b>WHEELBASE</b>	Wheelbase 195.0"	37
O	2106-0550	<b>REAR OVERHANG</b>	Rear Overhang 55.0"	37
S	2101-002	<b>FRAME</b>	Frame Double Channel 35.00" Width	37
S	2110-201	<b>FRAME PAINT</b>	Frame Paint Hot Dipped Galvanized - Frame Only Addl Comp Blk Powder Coat	38
S	8007-036	<b>FRAME ASSEMBLY STRUCTURAL WARRANTY</b>	Frame Assembly Structural Warranty (50) Year RFW0305	38
S	8019-003	<b>FRAME RAIL CORROSION WARRANTY</b>	Frame Rail Corrosion Warranty (25) Year RFW0316	38
S	8022-004	<b>FRAME COMPONENTS CORROSION WARRANTY</b>	Frame Components Corrosion Warranty (3) Year RFW0315	39

## BUMPER

---

S	2201-001	<b>FRONT BUMPER</b>	Frt Bumper Stainless Steel Flat	39
O	2202-006	<b>FRONT BUMPER EXTENSION LENGTH</b>	Frt Bumper Extension Length 24"	39
O	2215-002	<b>FRONT BUMPER SUCTION PROVISION</b>	Frt Bumper Suction Provision 5.0" RH Vertical Outboard	39
O	2208-007	<b>FRONT BUMPER APRON</b>	Frt Bumper Apron For 24" Extension	39
O	2237-004	<b>FRONT BUMPER DISCHARGE</b>	Front Bumper Discharge 2.0" LH Frame Mnt Plumbing	39
O	2211-003	<b>FRONT BUMPER COMPARTMENT CENTER</b>	Frt Bumper Cmpt Ctr w/Cover	40
O	2210-002	<b>FRONT BUMPER COMPARTMENT COVER HARDWARE</b>	Frt Bumper Cmpt Cover Hardware Gas Cylinder/D-Ring	40
S	5501-020	<b>AIR HORN</b>	Air Horn (2) 21" Round Hadley E-Tone	40
S	2216-010	<b>AIR HORN LOCATION</b>	Air Horn Location (2) Frt Bmpr Face R/L IB	40
S	2232-002	<b>AIR HORN RESERVOIR</b>	Air Horn Reservoir (1) 1200 Cu In	40
O	5504-029	<b>ELECTRONIC SIREN SPEAKER</b>	Elect Siren Speaker 100W Cast Products SA4301	40
O	2217-005	<b>ELECTRONIC SIREN SPEAKER LOCATION</b>	Elec Siren Speaker Location Frt Bmpr Face RH OB	40
O	2203-002	<b>FRONT BUMPER TOW HOOKS</b>	Frt Bumper Tow Hooks Painted Below Fwd	40

## CAB TILT

---

S	2301-001	<b>CAB TILT SYSTEM</b>	Cab Tilt System	41
S	2305-001	<b>CAB TILT CONTROL RECEPTACLE</b>	Cab Tilt Ctrl Receptacle Temp	41
S	2306-002	<b>CAB TILT LOCK DOWN INDICATOR</b>	Cab Tilt Lock Down Indicator	41

## CAB GLASS

---

S	1401-009	<b>CAB WINDSHIELD</b>	Cab Windshield	41
S	1402-005	<b>GLASS FRONT DOOR</b>	Glass Frt Dr Roll Down/XDuty Regulator	42
S	1407-001	<b>GLASS TINT FRONT DOOR</b>	Glass Tint Frt Dr Automotive Green	42
S	1419-012	<b>GLASS REAR DOOR RIGHT HAND</b>	Glass Rr Dr RH Roll Down/XDuty Regulator	42
S	1430-001	<b>GLASS TINT REAR DOOR RIGHT HAND</b>	Glass Tint Rr Door RH Automotive Green	42

S	1412-013	<b>GLASS REAR DOOR LEFT HAND</b>	Glass Rr Dr LH Roll Down/XDuty Regulator	42
S	1431-001	<b>GLASS TINT REAR DOOR LEFT HAND</b>	Glass Tint Rr Door LH Automotive Green	42

## CLIMATE CONTROL

---

S	1614-202	<b>CLIMATE CONTROL</b>	Climate Ctrl Htr Defroster A/C SGM Ovrhd Alum	43
S	1632-002	<b>CLIMATE CONTROL DRAIN</b>	Climate Control Drain Gravity	44
O	1617-200	<b>CLIMATE CONTROL ACTIVATION</b>	Climate Ctrl Actv Rotary Dash Mnt LH	44
S	1620-015	<b>HVAC OVERHEAD COVER PAINT</b>	HVAC Overhead Cover Paint Multi-tone Silver Gray	44
S	1603-003	<b>A/C CONDENSER LOCATION</b>	A/C Condenser Location Roof Mnt Fwd Ctr	44
S	1601-013	<b>A/C COMPRESSOR</b>	A/C Compressor TM-31/QP-31	44
S	1530-100	<b>UNDER CAB INSULATION</b>	Under Cab Insulation Engine Tunnel	44

## CAB INTERIOR

---

S	1327-001	<b>INTERIOR TRIM FLOOR</b>	Interior Trim Floor	45
S	1302-001	<b>INTERIOR TRIM</b>	Interior Trim Vinyl	45
S	1368-002	<b>REAR WALL INTERIOR TRIM</b>	Rear Wall Interior Trim Vinyl	45
S	1306-006	<b>HEADER TRIM</b>	Header Trim XDuty	45
S	1305-015	<b>TRIM CENTER DASH</b>	Trim Center Dash XDuty w/Gas Cylinder Stay	45
S	1339-102	<b>TRIM LEFT HAND DASH</b>	Trim LH Dash XDuty	45
S	1321-004	<b>TRIM RIGHT HAND DASH</b>	Trim RH Dash XDuty Glove Cmpt/MDT Prov	45
S	1307-002	<b>ENGINE TUNNEL TRIM</b>	Eng Tnl Trim Flr Mat	45
O	5040-188	<b>POWER POINT DASH MOUNT</b>	Pwr Pnt Dash Mnt Batt Dir (1) Sw Pnl/(1) Dual USB Blue Sea 4.8A Batt Dir Sw Pnl	46
S	1303-038	<b>STEP TRIM</b>	Step Trim Embossed & Diamond Cut Lwr Flex-Tred Mid	46
S	1379-003	<b>UNDER CAB ACCESS DOOR</b>	Under Cab Access Door Rear Step LH Painted	46
S	1102-013	<b>INTERIOR DOOR TRIM</b>	Interior Door Trim Painted	46
S	1323-001	<b>DOOR TRIM CUSTOMER NAMEPLATE</b>	Door Trim Customer Nameplate	46
O	1105-016	<b>CAB DOOR TRIM REFLECTIVE</b>	Cab Dr Trim Reflective Vert Stripe/6" Chevron	46
S	1308-001	<b>INTERIOR GRAB HANDLE "A" PILLAR</b>	Interior Grab Handle 'A' Pillar 11" Molded	46
S	1332-008	<b>INTERIOR GRAB HANDLE FRONT DOOR</b>	Interior Grab Handle Frt Door Horiz 9"	47
S	1345-002	<b>INTERIOR GRAB HANDLE REAR DOOR</b>	Int Grab Handle Rr Dr Alum Window Span 30" Black Powder Coat	47
S	1301-003	<b>INTERIOR SOFT TRIM COLOR</b>	Interior Soft Trim Color Gray	47
S	1337-001	<b>INTERIOR TRIM SUNVISOR</b>	Interior Trim Sunvisor Vinyl	47
S	1304-001	<b>INTERIOR FLOOR MAT COLOR</b>	Interior Floor Mat Color Gray	47
S	1335-017	<b>CAB PAINT INTERIOR DOOR TRIM</b>	Cab Paint Int Dr Trim Multi-tone Silver Gray	47
S	1371-017	<b>HEADER TRIM INTERIOR PAINT</b>	Header Trim Interior Paint Multi-tone Silver Gray	47
S	1370-019	<b>TRIM CENTER DASH INTERIOR PAINT</b>	Trim Center Dash Interior Paint Multi-tone Silver Gray	47
S	1378-018	<b>TRIM LEFT HAND DASH INTERIOR PAINT</b>	Trim LH Dash Interior Paint Multi-tone Silver Gray	47
S	1373-018	<b>TRIM RIGHT HAND DASH INTERIOR PAINT</b>	Trim RH Dash Interior Paint Multi-tone Silver Gray	48



S	1344-002	<b>DASH PANEL GROUP</b>	Dash Pnl Group 3-Pnl	48
O	1312-003	<b>SWITCHES CENTER PANEL</b>	Switches Ctr Pnl 12 (6+6) LH	48
O	1313-014	<b>SWITCHES LEFT PANEL</b>	Switches Left Pnl 8 Upper w/Headlight/Dimmer/Wiper	48
S	1314-001	<b>SWITCHES RIGHT PANEL</b>	Switches Right Pnl 0	48

## **CAB SEATS**

O	1225-018	<b>SEAT BELT WARNING</b>	Seat Belt Warn Indv Seat Loc & LED Display w/VDR Weldon	48
S	1237-005	<b>SEAT MATERIAL</b>	Seat Material Bostrom Durawear Plus	48
S	1243-001	<b>SEAT COLOR</b>	Seat Color Gray/Red Seat Belts	49
O	1249-219	<b>SEAT BACK LOGO</b>	Seat Back Logo Alexis	49
S	1201-033	<b>SEAT DRIVER</b>	Seat Driver Bostrom Firefighter 8-Way Elect 500 Series ABTS	49
S	1213-025	<b>SEAT BACK DRIVER</b>	Seat Back Driver Non-SCBA ABTS	49
S	1219-001	<b>SEAT MOUNTING DRIVER</b>	Seat Mounting Driver	50
S	1202-037	<b>SEAT OFFICER</b>	Seat Officer Bostrom Firefighter Fixed 500 Series ABTS	50
O	1214-030	<b>SEAT BACK OFFICER</b>	Seat Back Officer SCBA Bostrom SecureAll w/Quick-Adjust	50
S	1220-002	<b>SEAT MOUNTING OFFICER</b>	Seat Mounting Officer	51
S	1297-002	<b>POWER SEAT WIRING</b>	Power Seats Wiring Battery Direct	51
S	1273-001	<b>SEAT BELT ORIENTATION CREW</b>	Seat Belt Orientation Crew Outboard Shoulder To Inboard Hip	51
S	1266-001	<b>SEAT FORWARD FACING CENTER LOCATION</b>	Seat FFC Location Secondary Pos (2) Ctr	51
S	1206-031	<b>SEAT CREW FORWARD FACING CENTER</b>	Seat Crew FFC Bostrom Firefighter Fold & Hold Flip-Up 500 Series	51
S	1218-031	<b>SEAT BACK FORWARD FACING CENTER</b>	Seat Back FFC SCBA Bostrom SecureAll w/Quick-Adjust	51
S	1269-101	<b>SEAT FRAME FORWARD FACING</b>	Seat Frm Fwd Fcg Dual	52
S	1281-101	<b>SEAT FRAME FORWARD FACING STORAGE ACCESS</b>	Seat Frm Fwd Fcg Strg Acc Dr (2) R/L Sd	52
O	1224-012	<b>SEAT MOUNTING FORWARD FACING CENTER</b>	Seat Mounting FFC 6" Apart	52
S	1311-101	<b>CAB FRONT UNDERSEAT STORAGE ACCESS DOOR</b>	Cab Frt Undrst Strg Acc Dr	52
S	1355-019	<b>SEAT COMPARTMENT DOOR FINISH</b>	Seat Compartment Door Finish Multi-tone Silver Gray	52

## **CAB EXTERIOR**

S	1511-200	<b>WINDSHIELD WIPER SYSTEM</b>	Windshield Wiper System	52
S	1534-002	<b>ELECTRONIC WINDSHIELD FLUID LEVEL INDICATOR</b>	Electronic Windshield Fluid Level Indicator	53
S	1103-002	<b>CAB DOOR HARDWARE</b>	Cab Door Hardware Black Composite	53
S	1111-001	<b>DOOR LOCKS</b>	Door Locks Manual	53
O	1113-002	<b>DOOR LOCK LH EMS COMPARTMENT</b>	Door Lock LH EMS Compartment Manual	53
O	1114-002	<b>DOOR LOCK RH EMS COMPARTMENT</b>	Door Lock RH EMS Compartment Manual	53
S	1503-200	<b>GRAB HANDLES</b>	Grab Handles SS 18"	53
S	1504-014	<b>REARVIEW MIRRORS</b>	Mirror Aerodynamic Retractable 613305 Rmt Htd	53
O	1529-002	<b>REARVIEW MIRROR HEAT SWITCH</b>	Rearview Mirror Heat Sw Pnl	54
S	1513-001	<b>CAB FENDER</b>	Cab Fender SS w/ABS Liner	54



S	1514-002	<b>MUD FLAPS FRONT</b>	Mud Flaps Frt	54
S	1526-026	<b>CAB EXTERIOR FRONT &amp; SIDE EMBLEMS</b>	Cab Ext Frt & Side Emblems Spartan	54

## START / CHARGING SYSTEMS

---

S	5109-001	<b>IGNITION</b>	Ign Mstr Sw w/Keyless Start	54
S	5101-021	<b>BATTERY</b>	Batt (6) Group 31 Harris	54
S	5106-003	<b>BATTERY TRAY</b>	Batt Tray (2) R/L Steel	55
S	5107-007	<b>BATTERY BOX COVER</b>	Batt Box Cover (2) Steel w/Black Handles	55
S	5102-001	<b>BATTERY CABLE</b>	Batt Cables	55
S	5108-010	<b>BATTERY JUMPER STUD</b>	Batt Jumper Stud Frt LH Lwr Step 8" Apart	55
S	5104-002	<b>ALTERNATOR</b>	Alternator Leece-Neville 320A	55
S	5105-001	<b>STARTER MOTOR</b>	Starter Motor Delco	55

## LINE VOLTAGE ELECTRICAL POWER DISTRIBUTION

---

O	5202-096	<b>BATTERY CONDITIONER</b>	Batt Cond Progressive Dynamics PD2140 LH RFO Seat Position	55
O	3314-006	<b>AUXILIARY AIR COMPRESSOR</b>	Aux Air Cmp Kussmaul Auto Pump 120V Bhd Off Seat Mnt Horiz	55
O	5209-036	<b>ELECTRICAL INLET LOCATION</b>	Elec Inlet Location LH Cab Side Mid Bhd Grab Handle	56
S	5204-055	<b>ELECTRICAL INLET</b>	Elec Inlet 120V 20A Auto Eject	56
O	5210-005	<b>ELECTRICAL INLET CONNECTION</b>	Elec Inlet Conn to Batt Conditioner & Air Pump	56
O	5206-003	<b>ELECTRICAL INLET COLOR</b>	Elec Inlet Color Red	56

## LIGHTING

---

S	5301-102	<b>HEADLIGHTS</b>	Headlights 4 Headlamps LED	56
O	5337-002	<b>HEADLIGHT LOCATION</b>	Headlights Above Frt Warn Lts	56
S	5303-004	<b>FRONT TURN SIGNALS</b>	Frnt Turn Signals Whelen 600 LED	56
S	5336-015	<b>SIDE TURN/MARKER LIGHTS</b>	Side Turn/Marker Lts LED Tecniq S170	57
O	5302-018	<b>MARKER &amp; ICC LIGHTS</b>	Marker & ICC Lts Face Mnt LED In Scene Lt	57
O	5350-092	<b>HEADLIGHT AND MARKER LIGHT ACTIVATION</b>	Hdlt & Mrkr Lt Actv Rkr Sw/DRL Ign Sw	57
S	5305-350	<b>INTERIOR OVERHEAD LIGHTS</b>	Interior Overhead Lts Red/Clear LED	57
O	5388-002	<b>INTERIOR OVERHEAD LIGHTING ACTIVATION</b>	Int Ovrhd Lt Actv Resp Dr	57
S	5403-062	<b>LIGHTBAR PROVISION</b>	Lightbar Prov Wire & Lwr Mnt Chassis Supply	57
S	5450N-003	<b>CAB FRONT LIGHTBAR MODEL</b>	Cab Front Lightbar Model Whelen F4N72	57
S	5450-999	<b>CAB FRONT LIGHTBAR</b>	Cab Front Lightbar - Configured in 5450M Subcategory	
S	5450M-002	<b>FRONT LIGHTBAR LAYOUT</b>	Cab Front Lightbar Layout	
S	5450X-002	<b>FRONT LIGHTBAR ORIENTATION</b>	Front Lightbar Orientation - Standard Fwd	
O	5450L2-002	<b>FRONT LIGHTBAR LIGHT POSITION 2</b>	Cab Front Lightbar Position 2 - Red LH Side	
O	5450L5-003	<b>FRONT LIGHTBAR LIGHT POSITION 5</b>	Cab Front Lightbar Position 5 - White	
O	5450L8-	<b>FRONT LIGHTBAR LIGHT POSITION</b>	Cab Front Lightbar Position 8 - Red	

002	<b>8</b>		
O	5450L11-002	<b>FRONT LIGHTBAR LIGHT POSITION 11</b>	Cab Front Lightbar Position 11 - Red
O	5450L14-003	<b>FRONT LIGHTBAR LIGHT POSITION 14</b>	Cab Front Lightbar Position 14 - White
O	5450L17-032	<b>FRONT LIGHTBAR LIGHT POSITION 17</b>	Cab Front Lightbar Position 17 - Red RH Side
S	5426-002	<b>LIGHTBAR SWITCH</b>	Lightbar Sw Pnl 57
O	5317-159	<b>FRONT SCENE LIGHTS</b>	Frnt Scene Lts FireTech FT-B-72-ML-B 12V LED 72" Black 58
O	5329-003	<b>FRONT SCENE LIGHT LOCATION</b>	Frnt Scene Lt Loc Ctr Brow Pos 58
O	5335-041	<b>FRONT SCENE LIGHTS ACTIVATION</b>	Frnt Scene Lts Actv Rkr Sw Pnl (3) Sw Indv Circuit Scene/Spot/Flood Brow Lt 58
O	5306-065	<b>SIDE SCENE LIGHTS</b>	Side Scene Lts Whelen 900 12V Super 24 LED Clear Gradient 58
O	5318-004	<b>SIDE SCENE LIGHT LOCATION</b>	Side Scene Lt Loc Upper Mid Rwd 10" Roof Position 58
O	5316-004	<b>SIDE SCENE ACTIVATION</b>	Side Scene Actv Indv Sw & Resp Side Doors 58
S	5308-300	<b>GROUND LIGHTS</b>	Ground Lts Tecniq T44 LED 58
O	5386-016	<b>GROUND LIGHTING ACTIVATION</b>	Ground Lt Actv Prk Brk, Resp Sd Dr & Rkr Sw 58
S	5309-003	<b>LOWER CAB STEP LIGHTS</b>	Lwr Cab Step Lts Tecniq T44 LED 58
S	5382-008	<b>INTERMEDIATE STEP LIGHTS</b>	Intermediate Step Lts Tecniq D06 LED Frt Drs 59
S	5312-003	<b>ENGINE COMPARTMENT LIGHT</b>	Engine Cmpt Work Lt LED (1) 59

## **OPTICAL WARNING DEVICES**

---

S	5406-119	<b>DO NOT MOVE APPARATUS LIGHT</b>	Do Not Move App Lt Flashing Red Tecniq K50 LED w/Alarm 59
O	5422-001	<b>MASTER WARNING SWITCH</b>	Mstr Warn Sw Pnl 59
S	5409-002	<b>HEADLIGHT FLASHER</b>	Headlight Flasher Alternating 59
O	5425-018	<b>HEADLIGHT FLASHER SWITCH</b>	Headlight Flasher Sw Pnl 59
O	5401-002	<b>INBOARD FRONT WARNING LIGHTS</b>	Inboard Frnt Warn Lts Whelen 600 LED Chrm Bezel 59
O	5413-002	<b>INBOARD FRONT WARNING LIGHTS COLOR</b>	Inboard Frnt Warn Lts Color Red 60
O	5423-007	<b>FRONT WARNING SWITCH</b>	Frnt Warn Sw Pnl 60
O	5404-002	<b>INTERSECTION WARNING LIGHTS</b>	Intersection Warn Lts Whelen 600 Super LED 60
O	5419-002	<b>INTERSECTION WARNING LIGHTS COLOR</b>	Int Warn Lts Color Red 60
O	5420-002	<b>INTERSECTION WARNING LIGHTS LOCATION</b>	Intersection Warn Lts Location Bumper Tail Rwd 60
O	5424-008	<b>SIDE AND INTERSECTION WARNING SWITCH</b>	Side & Intersection Warn Sw Pnl 60

## **AUDIBLE WARNING DEVICES**

---

O	5510-004	<b>SIREN CONTROL HEAD</b>	Siren Ctrl Head Whelen 295HFS2 60
O	5514-100	<b>STEERING WHEEL HORN BUTTON SELECTOR SWITCH</b>	Horn Btn Sel Sw Elec Horn/Air Horn 60
S	5512-042	<b>AIR HORN AUXILIARY ACTIVATION</b>	Air Horn Actv PB Sw Pnl 60
S	5505-002	<b>BACK-UP ALARM</b>	Back-Up Alarm Ecco 575 61

## **INSTRUMENTATION**

---

S	5601-041	<b>INSTRUMENTATION</b>	Instrumentation Standard	61
S	5624-001	<b>BACKLIGHTING COLOR</b>	Backlighting Color Red	63

## **COMMUNICATIONS SYSTEMS**

---

O	5703-011	<b>COMMUNICATION ANTENNA</b>	Comm Ant Base LH Fwd Cab Rf Chassis Sply	63
O	5708-003	<b>COMMUNICATION ANTENNA CABLE ROUTING</b>	Comm Ant Cable Routing Under Rkr Sw Pnl	63
S	5020-002	<b>PANEL LAYOUT</b>	Panel Layout	

## **ADDITIONAL EQUIPMENT**

---

S	8814-002	<b>CAB EXTERIOR PROTECTION</b>	Cab Exterior Protection Front	63
S	8806-001	<b>FIRE EXTINGUISHER</b>	Fire Extinguisher Shiploose	63
O	8807-002	<b>ROAD SAFETY KIT</b>	Road Safety Kit Shiploose	63
S	8810-001	<b>DOOR KEYS</b>	Door Keys for Manual Locks (4)	63

## **SALES ADMIN**

---

S	8003-197	<b>WARRANTY</b>	Warranty Cab and Chassis (2) Year RFW0102	64
S	8030-006	<b>CHASSIS OPERATION MANUAL</b>	Chassis Operation Manual Digital Copy (2)	64
S	8031-024	<b>ENGINE &amp; TRANSMISSION OPERATION MANUAL</b>	Eng & Trans Operation Man Eng Hard Copy/Trans Digital/Eng Owner Digital	64
S	8805-007	<b>CAB/CHASSIS AS BUILT WIRING DIAGRAMS</b>	Cab/Chassis As Built Wiring Diagrams Digital Copy (2)	64
S	8039-001	<b>SALES TERMS</b>	Sales Terms	64

## **ENGINEERING**

---

O	9005-003	<b>DRIVELINE LAYOUT CONFIRMATION</b>	Driveline Layout Confirmation Completed	64
O	9006-003	<b>3D CHASSIS LAYOUT</b>	3D Chassis Layout Completed	64

# *Specification*

## **MODEL**

The chassis shall be a Metro Star model. The cab and chassis shall include design considerations for multiple emergency vehicle applications, rapid transit and maneuverability. The chassis shall be manufactured for heavy duty service with the strength and capacity to support a fully laden apparatus, one hundred (100) percent of the time.

## **MODEL YEAR**

The chassis shall have a vehicle identification number that reflects a 2024 model year.

## **COUNTRY OF SERVICE**

The chassis shall be put in service in the country of United States of America (USA).

The chassis will meet applicable U.S.A. federal motor vehicle safety standards per CFR Title 49 Chapter V Part 571 as clarified in the incomplete vehicle book per CFR Title 49 Chapter V Part 568 Section 4 which accompanies each chassis. The chassis manufacturer is not responsible for compliance to state, regional, or local regulations. Dealers should identify those regulations and order any necessary optional equipment from the chassis manufacturer or their OEM needed to be in compliance with those regulations.

## **CAB AND CHASSIS LABELING LANGUAGE**

The cab and chassis shall include the applicable caution, warning, and safety notice labels with text to be written in English. All applicable caution, warning, and safety notice labels shall be Innovative Controls brand. Where applicable to the location within the specific layout and label package of the cab and chassis, the labels shall include decorative chrome bezels. Designs shall include bezels that fit individual labels or packaged configurations of labels in certain common locations.

## **APPARATUS TYPE**

The apparatus shall be a pumper vehicle designed for emergency service use which shall be equipped with a permanently mounted fire pump which has a minimum rated capacity of 750 gallons per minute (3000 L/min). The apparatus shall include a water tank and hose body whose primary purpose is to combat structural and associated fires.

## **VEHICLE TYPE**

The chassis shall be manufactured for use as a straight truck type vehicle and designed for the installation of a permanently mounted apparatus behind the cab. The apparatus of the vehicle shall be supplied and installed by the apparatus manufacturer.

## **VEHICLE ANGLE OF APPROACH PACKAGE**

The angle of approach of the apparatus shall be a minimum of 8.00 degrees.

NFPA1901 Angle of Approach definition:

“To determine the angle of approach, place a thin steel strip against the front of the tires where they touch the ground or stretch a tight string from one front tire to the other at the front where they touch the ground. Determine the lowest point (component or equipment) on the vehicle forward of the front tire that would make the smallest angle of approach. Hang a plumb bob from the lowest point and mark the point on the ground where the point of the plumb bob touches. Measure the vertical distance from the ground to the point where the plumb bob was hung (distance  $V$ ). Measure the horizontal distance from the plumb bob point to the steel strip or string running from front tire to front tire (distance  $H$ ). Divide the vertical distance by the horizontal distance. The ratio of  $V/H$  is the tangent of the angle of approach. If the ratio is known, the angle of approach can be determined from a table of trigonometric functions of angles or from a math calculator. The standard requires a minimum angle of approach of 8.00 degrees: since the tangent of 8.00 degrees is 0.1405, if  $V$  divided by  $H$  is 0.1405 or larger, the angle of approach is 8.00 degrees or greater.”

### **AXLE CONFIGURATION**

The chassis shall feature a 4 x 2 axle configuration consisting of a single rear drive axle with a single front steer axle.

### **GROSS AXLE WEIGHT RATINGS FRONT**

The front gross axle weight rating (GAWR) of the chassis shall be 20,000 pounds.

This front gross axle weight rating shall be adequate to carry the weight of the completed apparatus including all equipment and personnel.

### **GROSS AXLE WEIGHT RATINGS REAR**

The rear gross axle weight rating (GAWR) of the chassis shall be 27,000 pounds.

This rear gross axle weight rating shall be adequate to carry the weight of the completed apparatus including all equipment and personnel.

### **PUMP PROVISION**

The chassis shall include provisions to mount a drive line pump in the middle of the chassis, behind the cab, more commonly known as the midship location. Chassis driveline pump provisions shall include an interlock feature for automatic setting of the park brake when the vehicle is shifted into pump mode while the transmission is in neutral and the transmission output speed translates to less than 1 mph. When the conditions are met the driver side parking brake valve shall activate. Once shifted to road mode the condition for electric automatic brake engagement is no longer present and the driver's parking brake control valve shall function normally.

### **WATER & FOAM TANK CAPACITY**

The chassis shall include a carrying capacity of up to 750 gallons (2839 liters). The water and/or foam tank(s) shall be supplied and installed by the apparatus manufacturer.

## **CAB STYLE**

The cab shall be a custom, fully enclosed, MFD model with a 10.00 inch raised roof over the driver, officer, and crew area, designed and built specifically for use as an emergency response vehicle by a company specializing in cab and chassis design for all emergency response applications. The cab shall be designed for heavy-duty service utilizing superior strength and capacity for the application of protecting the occupants of the vehicle. This style of cab shall offer up to eight (8) seating positions.

The cab shall incorporate a fully enclosed design with side wall roof supports, allowing for a spacious cab area with no partition between the front and rear sections of the cab. To provide a superior finish by reducing welds that fatigue cab metal; the roof, the rear wall and side wall panels shall be assembled using a combination of welds and proven industrial adhesives designed specifically for aluminum fabrication for construction.

The cab shall be constructed using multiple aluminum extrusions in conjunction with aluminum plate, which shall provide proven strength and the truest, flattest body surfaces ensuring less expensive paint repairs if needed. All aluminum welding shall be completed to the American Welding Society and ANSI D1.2-96 requirements for structural welding of aluminum.

All interior and exterior seams shall be sealed for optimum noise reduction and to provide the most favorable efficiency for heating and cooling retention.

The cab shall be constructed of 5052-H32 corrosion resistant aluminum plate. The cab shall incorporate tongue and groove fitted 6061-T6 0.13 & 0.19 inch thick aluminum extrusions for extreme duty situations. A single formed, one (1) piece extrusion shall be used for the "A" pillar, adding strength and rigidity to the cab as well as additional roll-over protection. The cab side walls and lower roof skin shall be 0.13 inch thick; the rear wall and raised roof skins shall be 0.09 inch thick; the front cab structure shall be 0.19 inch thick.

The exterior width of the cab shall be 94.00 inches wide with a minimum interior width of 88.00 inches. The overall cab length shall be 131.10 inches with 54.00 inches from the centerline of the front of the axle to the back of the cab.

The cab interior shall be designed to afford the maximum usable interior space and attention to ergonomics with hip and legroom while seated which exceeds industry standards. The crew cab floor shall be flat across the entire walking area for ease of movement inside the cab.

The cab shall offer an interior height of 57.50 inches from the front floor to the headliner in the non-raised roof area and a rear floor to headliner height of 65.00 inches in the raised roof area, at a minimum. The cab shall offer an interior measurement at the floor level from the rear of the engine tunnel to the rear wall of the cab of 51.88 inches. All interior measurements shall include the area within the interior trimmed surfaces and not to any unfinished surface.

The cab shall include a driver and officer area with two (2) cab doors large enough for personnel in full firefighting gear. The front doors shall offer a clear opening of 40.25 inches wide X 53.50 inches high, from the cab floor to the top of the door opening. The cab shall also include a crew area with up

to two (2) cab doors, also large enough for personnel in full firefighting gear. The rear doors shall offer a clear opening of 32.25 inches wide X 61.00 inches high, from the cab floor to the top of the door opening.

The cab shall incorporate a progressive two (2) step configuration from the ground to the cab floor at each door opening. The progressive steps are vertically staggered and extend the full width of each step well allowing personnel in full firefighting gear to enter and exit the cab easily and safely.

The first step for the driver and officer area shall measure approximately 11.50 inches deep X 31.13 inches wide. The intermediate step shall measure approximately 8.50 inches deep X 32.50 inches wide. The height from the first step to the intermediate step and the intermediate step to the cab floor shall not exceed 11.00 inches.

The first step for the crew area shall measure approximately 11.50 inches deep X 20.44 inches wide. The intermediate step shall measure approximately 10.25 inches deep X 22.75 inches wide. The height from the first step to the intermediate step and the intermediate step to the cab floor shall not exceed 12.80 inches.

### **CAB FRONT FASCIA**

The front cab fascia shall be constructed of 5052-H32 Marine Grade, 0.13 of an inch thick aluminum plate which shall be an integral part of the cab.

The cab fascia will encompass the entire front of the aluminum cab structure from the bottom of the windshield to the bottom of the cab and shall be the “Classic” design.

The front cab fascia shall include two (2) molded plastic modules on each side accommodating a total of up to four (4) Hi/Low beam headlights and two (2) turn signal lights or up to four (4) warning lights. A chrome plated molded plastic bezel shall be provided on each side around each set of four lamps.

### **FRONT GRILLE**

The front fascia shall include a box style, 304 stainless steel front grille 44.45 inches wide X 33.50 inches high X 1.50 inches deep. The grille shall include a minimum free air intake of 732.00 square inches. The upper portion of the grille shall be hinged to provide service access behind the grille.

### **CAB UNDERCOAT**

There shall be a rubberized undercoating applied to the underside of the cab that provides abrasion protection, sound deadening and corrosion protection.

### **CAB SIDE DRIP RAIL**

There shall be a drip rail along the top radius of each cab side. The drip rails shall help prevent water from the cab roof running down the cab side.

### **CAB PAINT EXTERIOR**



The cab exterior shall be painted two tone per customers specified paint colors following the RFG-SR-001 paint standards.

### **CAB PAINT PROCESS/MANUFACTURER**

The cab shall be painted with PPG Industries paint prior to the installation of glass accessories and all other cab trim to ensure complete paint coverage and the maximum in corrosion protection of all metal surfaces.

All metal surfaces on the cab shall be mechanically etched by sanding disc to remove any surface oxidation or surface debris which may hinder the paint adhesion. Once all imperfections on the exterior surfaces are removed and sanded smooth, body fillers shall be applied to the cab on all surfaces that require a critically aesthetic finish and sanded smooth.

The entire cab shall then be coated with a high quality base primer that is designed to fill any minor surface defects, provide an adhesive bond between the primer and the paint and improve the color and gloss retention of the color. The finish to this procedure shall be sanding the cab to a smooth finish followed by sealing the seams with an automotive seam sealer. The minimum thickness of the primer coat after sanding shall be 2.50 mils with a maximum thickness of 5.00 mils.

The cab shall then be painted the specific color(s) designated by the customer with an acrylic urethane type system designed to retain color and resist acid rain and most atmospheric chemicals found on an emergency scene. The paint shall have a minimum thickness of 1.00 mils with a maximum of 4 mils, followed by a clear top coat with a minimum of 2.5 mils and a maximum of 3.5 mils. The entire cab shall then be baked to speed the curing process of the coatings.

### **CAB PAINT PRIMARY/LOWER COLOR**

The lower paint color shall be PPG FBCH 71096 Red.

### **SHIP LOOSE PAINT**

There shall be two (2) gallons of the primary/lower cab and (1) gallon of the secondary/upper cab color shipped to the body manufacturer by way of United Parcel Service.

### **CAB PAINT SECONDARY/UPPER COLOR**

The secondary/upper paint color shall be PPG FBCH 9000 black.

### **CAB PAINT EXTERIOR BREAKLINE**

The upper and lower paint shall meet at a breakline on the cab which shall be located approximately 1.00 inch below the door windows on each side of the cab. The breakline shall curve down at the front cab corners to approximately 5.00 inches below the windshields on the front of the cab.

### **CAB PAINT PINSTRIPE**

Where the upper and lower paint colors meet a temporary 0.50 inch wide black pinstripe shall be applied over this break line to offer a more finished look prior to the final pinstripe being installed by the OEM.



## **CAB EXTERIOR ROLL-UP DOOR FINISH**

The roll-up doors on the exterior of the cab shall have a satin finish.

## **CAB PAINT WARRANTY**

Purchaser shall receive a Paint and Finish (Exterior Clear coated) Ten (10) Years limited warranty in accordance with, and subject to, warranty certificate RFW0710. The warranty certificate is incorporated by reference into this proposal, and included with this proposal or available upon request.

## **CAB PAINT INTERIOR**

The visible interior cab structure surfaces shall be painted with a multi-tone silver gray texture finish.

## **CAB ENTRY DOORS**

The cab shall include four (4) entry doors, two (2) front doors and two (2) crew doors designed for ease of entering and egress when outfitted with an SCBA. The doors shall be constructed of extruded aluminum with a nominal thickness of 0.13 inch. The exterior skins shall be constructed of 0.13 inch aluminum plate.

The doors shall include a double rolled style automotive rubber seal around the perimeter of each door frame and door edge which ensures a weather tight fit.

All door hinges shall be hidden within flush mounted cab doors for a pleasing smooth appearance and perfect fit along each side of the cab. Each door hinge shall be piano style with a 0.38 inch pin and shall be constructed of stainless steel.

## **CAB ENTRY DOOR TYPE**

All cab entry doors shall be full length in design to fully enclose the lower cab steps. Entry doors shall include Pollak mechanical plunger style switches for electrical component activation.

## **CAB INSULATION**

The cab ceiling and walls shall include a nonwoven polyester fiber insulation. The insulation shall act as a barrier absorbing noise as well as assisting in sustaining the desired climate within the cab interior.

## **LH MID EMS COMPARTMENT**

The cab shall include a compartment located in the middle of the wall above the left side wheel well. This compartment shall measure 17.00 inches wide X 43.00 inches high X 23.00 inches deep.

## **LH MID EMS EXTERIOR ACCESS**

The cab shall include a ROM series IV roll up door located in the middle of the wall above the left side wheel well. The compartment shall have a clear door opening of 14.50 inches wide X 34.00 inches high.

There shall be a switch to activate the open compartment warning light in the cab in the event the door is left ajar.

### **LH MID EMS COMPARTMENT INTERIOR**

The cab compartment located in the middle of the wall above the left side wheel well shall include solid aluminum walls with no interior access. This compartment shall be finished to customer specification.

### **RH MID EMS COMPARTMENT**

The cab shall include a compartment located in the middle of the wall above the right side wheel well. This compartment shall measure 17.00 inches wide X 43.00 inches high X 23.00 inches deep.

### **RH MID EMS EXTERIOR ACCESS**

The cab shall include a ROM series IV roll up door located in the middle of the wall above the right side wheel well. The compartment shall have a clear door opening of 14.50 inches wide X 34.00 inches high. There shall be a switch to activate the open compartment warning light in the cab in the event the door is left ajar.

### **RH MID EMS COMPARTMENT INTERIOR**

The cab compartment located in the middle of the wall above the right side wheel well shall include solid aluminum walls with an interior access point rear facing. This compartment shall be finished to customer specification.

### **RH MID EMS COMPARTMENT INTERIOR ACCESS**

The right hand EMS compartment shall include access from inside the cab. The compartment shall be accessible from the inside of the cab via a cargo net covered provision that shall include side-release buckle assemblies at the bottom. The interior access provision shall feature a clear opening of 14.50 inches wide and as tall as possible in the available customer specified right EMS compartment height and access point.

### **MID EMS COMPARTMENT LIGHTING**

The interior portion of each of the mid EMS compartments shall include compartment door activated LED lighting to illuminate all usable surfaces within each compartment.

### **MID EMS COMPARTMENT EXTERIOR FINISH**

The mid EMS compartment surfaces that are exposed to the interior of the cab shall be painted with a multi-tone silver gray texture finish.

### **MID EMS COMPARTMENT INTERIOR FINISH**

The EMS compartment interior shall feature a DA sanded finish.

### **CAB STRUCTURAL WARRANTY**

Purchaser shall receive a Cab Structure (Aluminum) Ten (10) Years or 100,000 Miles limited warranty in accordance with, and subject to, warranty certificate RFW0602. The warranty certificate is incorporated by reference into this proposal, and included with this proposal or available upon request.

### **CAB TEST INFORMATION**

The cab shall have successfully completed the preload side impact, static roof load application and frontal impact without encroachment to the occupant survival space when tested in accordance with Section 4 of SAE J2420 COE Frontal Strength Evaluation Dynamic Loading Heavy Trucks, Section 5 of SAE J2422 Cab Roof Strength Evaluation Quasi –Static Loading Heavy Trucks and ECE R29 Uniform Provisions Concerning the Approval of Vehicles with regard to the Protection of the Occupants of the Cab of a Commercial Vehicles Annex 3 Paragraph 5.

The above tests have been witnessed by and attested to by an independent third party. The test results were recorded using cameras, high speed imagers, accelerometers and strain gauges. Documentation of the testing shall be provided upon request.

### **ELECTRICAL SYSTEM**

The chassis shall include a single starting electrical system which shall include a 12 volt direct current multiplexing system, suppressed per SAE J551. The wiring shall be appropriate gauge cross link with 311 degree Fahrenheit insulation. All SAE wires in the chassis shall be color coded and shall include the circuit number and function where possible. The wiring shall be protected by 275 degree Fahrenheit minimum high temperature flame retardant loom. All nodes and sealed Deutsch connectors shall be waterproof.

### **LOAD MANAGEMENT SYSTEM**

The apparatus load management shall be performed by the included multiplex system. The multiplex system shall also feature the priority of sequences and shall shed electrical loads based on the priority list specifically programmed.

### **DATA RECORDING SYSTEM**

The chassis shall have a Weldon Vehicle Data Recorder (VDR) system installed. The system shall be designed to meet NFPA 1901 and shall be integrated with the Weldon Multiplex electrical system. The following information shall be recorded:

- Vehicle Speed
- Acceleration
- Deceleration
- Engine Speed
- Engine Throttle Position
- ABS Event
- Seat Occupied Status
- Seat Belt Status
- Master Optical Warning Device Switch Position
- Time

- Date

Each portion of the data shall be recorded at the specified intervals and stored for the specified length of time to meet NFPA 1901 guidelines and shall be retrievable by connecting a laptop computer to the VDR system. The laptop connection shall be a panel mounted female type B USB connection point, remotely mounted in the left side foot well.

### **ACCESSORY POWER**

The electrical distribution panel shall include two (2) power studs. The studs shall be size #10 and each of the power studs shall be circuit protected with a fuse of the specified amperage. One (1) power stud shall be capable of carrying up to a 40 amp battery direct load. One (1) power stud shall be capable of carrying up to a 15 amp ignition switched load. The two (2) power studs shall share one (1) #10 ground stud. A 225 amp battery direct power and ground stud shall be provided and installed on the chassis near the left hand battery box for OEM body connections.

### **EXTERIOR ELECTRICAL TERMINAL COATING**

All terminals exposed to the elements will be sprayed with a high visibility protective rubberized coating to prevent corrosion.

### **ELECTRICAL SYSTEM WARRANTY**

Purchaser shall receive an Electrical System Two (2) Years or 36,000 Miles limited warranty in accordance with, and subject to, warranty certificate RFW0202. The warranty certificate is incorporated by reference into this proposal, and included with this proposal or available upon request.

### **ENGINE**

The chassis engine shall be a Cummins L9 engine. The L9 engine shall be an in-line six (6) cylinder, four-cycle diesel-powered engine. The engine shall offer a rating of 450 horsepower at 2100 RPM and shall be governed at 2200 RPM. The torque rating shall feature 1250-foot pounds of torque at 1200 RPM with 543 cubic inches (8.9 liters) of displacement.

The L9 engine shall feature a VGT™ Turbocharger, a high-pressure common rail fuel system, fully integrated electronic controls with an electronic governor, and shall be EPA certified to meet the 2021-26 emissions standards using cooled exhaust gas recirculation and selective catalytic reduction technology.

The engine shall include an engine mounted combination full flow/by-pass oil filter with replaceable spin on cartridge for use with the engine lubrication system. The engine shall include Citgo brand Citgard 500, or equivalent SAE 15W40 CK-4 low ash engine oil which shall be utilized for proper engine lubrication.

A wiring harness shall be supplied ending at the back of the cab. The harness shall include a connector which shall allow an optional harness for the pump panel. The included circuits shall be provided for a tachometer, oil pressure, engine temperature, hand throttle, high idle and a PSG system. A circuit for J1939 data link shall also be provided at the back of the cab.

**If an L9 engine is NOT available or cannot be provided for that specific quote or build slot at time of production, you will automatically be upgraded and charged for an X12 (or the X10 engine) with all costs associated with the upgrade being passed on to the end user. No exceptions.**

**If a pre-2027 emission engine is NOT available at the time of build (starting production on January 1, 2026) your order will automatically be upgraded and charged for either the 2027 engine compliant Cummins X-10 or X-15, with all associated costs being passed on to the end user. No exceptions.**

### **CAB ENGINE TUNNEL**

The cab interior shall include an integrated engine tunnel constructed of 5052-H32 Marine Grade, 0.19 of an inch thick aluminum. The tunnel shall be a maximum of 41.50 inches wide X 25.50 inches high.

### **DIESEL PARTICULATE FILTER CONTROLS**

There shall be two (2) controls for the diesel particulate filter. One (1) control shall be for regeneration and one (1) control shall be for regeneration inhibit.

### **ENGINE PROGRAMMING HIGH IDLE SPEED**

The engine high idle control shall maintain the engine idle at approximately 1250 RPM when engaged.

### **ENGINE HIGH IDLE CONTROL**

The vehicle shall be equipped with an automatic high-idle speed control which shall be pre-set to operate the engine at a specified RPM to increase alternator output if the system voltage drops to 12.5 volts with multi-plex wired chassis and 12.8 volts using load manager with conventional wiring. This device shall automatically operate only when the engine is running, the transmission is in neutral, and with the parking brake set. The automatic high idle will stay engaged for a minimum of ten (10) minutes and until the system, voltage has reached 13.0 volts. Application of the service brake will override the automatic high idle and reset timer. The vehicle shall be equipped with a high-idle speed rocker switch. It shall be pre-set so when activated, it will operate the engine at the specified RPM to increase alternator output. This device shall operate only when the engine is running, the transmission is in neutral, and with the parking brake set. When automatically engaged the high idle shall disengage when the operator depresses the brake pedal, or the transmission is placed in gear, and shall be available to manually or automatically re-engage when the brake pedal is released, or when the transmission is placed in neutral. Switch shall not override automatic high idle between voltage parameters during timed cycle.

### **ENGINE PROGRAMMING ROAD SPEED GOVERNOR**

The engine shall include programming which will govern the top speed of the vehicle.

### **AUXILIARY ENGINE BRAKE**

A compression brake, for the six (6) cylinder engine shall be provided. A cutout relay shall be installed to disable the compression brake when in pump mode or when an ABS event occurs. The engine

compression brake shall activate upon 0% accelerator when in operation mode and actuate the vehicle's brake lights.

The engine shall utilize a variable geometry turbo (VGT) as an integrated auxiliary engine brake to offer a variable rate of exhaust flow, which when activated in conjunction with the compression brake shall enhance the engine's compression braking capabilities.

### **AUXILIARY ENGINE BRAKE CONTROL**

An engine compression brake control device shall be included. The electronic control device shall monitor various conditions and shall activate the engine brake only if all of the following conditions are simultaneously detected:

- A valid gear ratio is detected.
- The driver has requested or enabled engine compression brake operation.
- The throttle is at a minimum engine speed position.
- The electronic controller is not presently attempting to execute an electronically controlled final drive gear shift.

The compression brake shall be controlled through an on/off switch and a low/medium/high selector switch.

### **ELECTRONIC ENGINE OIL LEVEL INDICATOR**

The engine oil shall be monitored electronically and shall send a signal to activate a warning in the instrument panel when levels fall below normal. The warning shall activate in a low oil situation upon turning on the master battery and ignition switches without the engine running.

### **FLUID FILLS**

The front of the chassis shall accommodate fluid fill for the engine oil through the grille. This area shall also accommodate a check for the engine oil. The transmission, power steering, and coolant fluid fills and checks shall be under the cab. The windshield washer fill shall be accessible through the front left side mid step.

### **ENGINE DRAIN PLUG**

The engine shall include an original equipment manufacturer installed oil drain plug.

### **ENGINE WARRANTY**

The Cummins engine shall be warranted for a period of five (5) years or 100,000 miles, whichever occurs first.

### **REMOTE THROTTLE HARNESS**

An apparatus interface wiring harness for the engine and transmission pump interlocks shall be supplied with the chassis. The harness shall include a connector for connection to a chassis pump panel harness supplied by the body builder and shall terminate in the left frame rail behind the cab for connection by the body builder. The harness shall include circuits deemed for a pump panel and shall contain circuits

for a hand throttle, and a multiplexed gauge. Separate circuits shall also be included for a pump control switch, “Pump Engaged” and “OK to Pump” indicator lights, open compartment ground, start signal, park brake ground, ignition signal, master power, clean power, customer ignition, air horn solenoid switch, high idle switch and high idle indicator light. The harness shall contain interlocks that will prevent shifting to road or pump mode unless the transmission output speed translates to less than 1 mph and the transmission is in neutral. The shift to pump mode shall also require the park brake be set.

### **ENGINE PROGRAMMING REMOTE THROTTLE**

The engine ECM (Electronic Control Module) discreet wire remote throttle circuit shall be turned off for use with a J1939 based pump controller or when the discreet wire remote throttle controls are not required.

### **ENGINE PROGRAMMING IDLE SPEED**

The engine low idle speed will be programmed at 700 rpm.

### **ENGINE AIR INTAKE**

The engine air intake system shall include an ember separator. This ember separator shall be designed to protect the downstream air filter from embers using a combination of unique flat and crimped metal screens packaged in a heavy duty galvanized steel frame. This multilayered screen shall trap embers and allow them to burn out before passing through the pack.

The engine air intake system shall also include an air cleaner mounted above the radiator. This air cleaner shall utilize a replaceable dry type filter element designed to prevent dust and debris from being ingested into the engine. A service cover shall be provided on the housing, reducing the chance of contaminating the air intake system during air filter service.

The air intake system shall include a restriction indicator light in the warning light cluster on the instrument panel, which shall activate when the air cleaner element requires replacement.

### **ENGINE FAN DRIVE**

The engine cooling system fan shall incorporate a thermostatically controlled, Horton fully variable type fan drive with SmartClutch J-1939 CAN controller.

The variable speed fan clutch only engages at the amount needed for proper cooling to facilitate improved vehicle performance, cab heating in cold climates, and fuel economy. The fan clutch design shall be fail-safe so that if the clutch drive fails the fan shall engage to prevent engine overheating due to the fan clutch failure. The fan speed shall include a J-1939 CAN clutch controller to receive signal from the engine control module to activate at variable rates of speed. Variable speeds shall be set through thermostatic and engine speed signals to run as efficiently and quietly as required to maintain temperature.

### **ENGINE COOLING SYSTEM**

There shall be a heavy-duty aluminum cooling system designed to meet the demands of the emergency response industry. The cooling system shall have the capacity to keep the engine properly cooled under



all conditions of road and pumping operations. The cooling system shall be designed and tested to meet or exceed the requirements specified by the engine and transmission manufacturer and all EPA requirements. The complete cooling system shall be mounted to isolate the entire system from vibration or stress. The individual cores of the cooling system shall be mounted in a manner to allow expansion and contraction at various rates without inducing stress into the adjoining cores.

The cooling system shall be comprised of a charge air cooler to radiator serial flow package that provides the maximum cooling capacity for the specified engine as well as serviceability. The main components shall include a surge tank, a charge air cooler bolted to the front of the radiator, recirculation shields, a shroud, a fan, and required tubing.

The radiator shall be a down-flow design constructed with aluminum cores, plastic end tanks, and a steel frame. The radiator shall be equipped with a drain cock to drain the coolant for serviceability.

The cooling system shall include a one piece injected molded polymer fan with a three (3) piece fiberglass fan shroud.

The cooling system shall be equipped with a surge tank that is capable of removing entrained air from the system. The surge tank shall be equipped with a low coolant probe and rearward oriented sight glass to observe coolant in the system. A cold fill and observation line shall be included within the frame mounted translucent recovery bottle to monitor the level of the coolant. The surge tank shall have a dual seal cap that meets the engine manufacturer's pressure requirements and allows for expansion and recovery of coolant into a separate integral expansion chamber.

All radiator tubes shall be formed from aluminized steel tubing. Recirculation shields shall be installed where required to prevent heated air from reentering the cooling package and affecting performance.

The charge air cooler shall be a cross-flow design constructed completely of aluminum with cast tanks. All charge air cooler tubes shall be formed from aluminized steel tubing and installed with silicone hump hoses and stainless steel "constant torque" style clamps meeting the engine manufacturer's requirements.

The radiator and charge air cooler shall be removable through the bottom of the chassis.

## **ENGINE COOLING SYSTEM PROTECTION**

The engine cooling system shall include a recirculation shield designed to act as a light duty skid plate below the radiator to provide additional protection for the engine cooling system from light impacts, stones, and road debris. The skid plate shall be painted to match the frame components.

## **ENGINE COOLANT**

The cooling package shall include Extended Life Coolant (ELC). The use of ELC provides longer intervals between coolant changes over standard coolants providing improved performance. The coolant shall contain a 50/50 mix of ethylene glycol and de-ionized water to keep the coolant from freezing to a temperature of -34 degrees Fahrenheit.

Proposals offering supplemental coolant additives (SCA) shall not be considered, as this is part of the extended life coolant makeup.



## **ELECTRONIC COOLANT LEVEL INDICATOR**

The instrument panel shall feature a low engine coolant indicator light which shall be located in the center of the instrument panel. An audible tone alarm shall also be provided to warn of a low coolant incident.

## **COOLANT HOSES**

The cooling systems hose shall be formed silicone hose and formed aluminized steel tubing and include stainless steel constant torque band clamps.

## **ENGINE COOLANT OVERFLOW BOTTLE**

A remote engine coolant overflow expansion bottle shall be provided in the case of over filling the coolant system. The overflow bottle shall capture the expansion fluid or overflow rather than allow the fluid to drain on the ground.

## **ENGINE PUMP HEAT EXCHANGER**

A single bundle type coolant to water heat exchanger shall be installed between the engine and the radiator. The heat exchanger shall be designed to prohibit water from the pump from coming in contact with the engine coolant. This shall allow the use of water from the discharge side of the pump to assist in cooling the engine.

## **ENGINE EXHAUST SYSTEM**

The exhaust system shall include an end-in end-out horizontally mounted single module after treatment device, and downpipe from the charge air cooled turbo. The single module shall include four temperature sensors, diesel particulate filter (DPF), urea dosing module (UL2), and a selective catalytic reduction (SCR) catalyst to meet current EPA standards. The selective catalytic reduction catalyst utilizes a diesel exhaust fluid solution consisting of urea and purified water to convert NOx into nitrogen, water, and trace amounts of carbon dioxide. The solution shall be mixed and injected into the system through the DPF and SCR.

The system shall utilize 0.07 inch thick stainless steel exhaust tubing between the engine turbo and the DPF. Zero leak clamps seal all system joints between the turbo and DPF.

The single module after treatment through the end of the tailpipe shall be connected with zero leak clamps. The discharge shall terminate horizontally on the right side of the vehicle ahead of the rear tires.

The exhaust system after treatment module shall be mounted below the frame in the outboard position.

## **DIESEL EXHAUST FLUID TANK**

The exhaust system shall include a molded cross linked polyethylene tank for Diesel Exhaust Fluid (DEF). The tank shall have a capacity of six (6) usable gallons and shall be mounted on the left hand side of the chassis frame behind the batteries below the frame.

The DEF tank shall be designed with capacity for expansion in case of fluid freezing. Engine coolant, which shall be thermostatically controlled, shall be run through lines in the tank to help prevent the DEF from freezing and to provide a means of thawing the fluid if it should become frozen.

The tank fill tube shall be routed under the rear of the cab with the fill neck and splash guard accessible in the top rear step.

### **ENGINE EXHAUST ACCESSORIES**

An exhaust temperature mitigation device shall be shipped loose for installation by the body manufacturer on the vehicle. The temperature mitigation device shall lower the temperature of the exhaust by combining ambient air with the exhaust gasses at the exhaust outlet.

### **ENGINE EXHAUST WRAP**

The exhaust tubing between the engine turbo and the diesel particulate filter (DPF) shall be wrapped with a thermal cover in order to retain the necessary heat for DPF regeneration. The exhaust wrap shall also help protect surrounding components from radiant heat which can be transferred from the exhaust.

The exhaust flex joint shall not include the thermal exhaust wrap.

### **EMISSIONS SYSTEMS WARRANTY**

Purchaser shall receive a Regulated Emissions Systems Five (5) Years or 100,000 Miles limited warranty in accordance with, and subject to, warranty certificate RFW0140. The warranty certificate is incorporated by reference into this proposal, and included with this proposal or available upon request.

### **TRANSMISSION**

The drive train shall include an Allison model EVS 3000 torque converting, automatic transmission which shall include electronic controls. The transmission shall feature two (2) 10-bolt PTO pads located on the converter housing.

The transmission shall include two (2) internal oil filters which shall offer Allison formulated Castrol TranSynd™ synthetic transmission fluid which shall be utilized in the lubrication of the EVS transmission. An electronic oil level sensor shall be included with the readout located in the shift selector.

The transmission gear ratios shall be:

1st	3.49:1
2nd	1.86:1
3rd	1.41:1
4th	1.00:1
5th	0.75:1
6th	0.65:1 (if applicable)
Rev	5.03:1

### **TRANSMISSION MODE PROGRAMMING**

The transmission, upon start-up, will select the fifth speed operation without the need to press the mode button.

### **TRANSMISSION FEATURE PROGRAMMING**

The Allison Gen V/VI-E transmission EVS group package number 127 shall contain the 198 vocational package in consideration of the duty of this apparatus as a pumper. This package shall incorporate an automatic neutral with selector override. This feature commands the transmission to neutral when the park brake is applied, regardless of drive range requested on the shift selector. This requires re-selecting drive range to shift out of neutral for the override.

This package shall be coupled with the use of a split shaft PTO and incorporate pumping circuits. These circuits shall be used allowing the vehicle to operate in the fourth range lockup while operating the pump mode due to the 1 to 1 ratio through the transmission, therefore the output speed of the engine is the input speed to the pump. The pump output can be easily calculated by using this input speed and the drive ratio of the pump itself to rate the gallons of water the pump can provide.

A transmission interface connector shall be provided in the cab. This package shall contain the following input/output circuits to the transmission control module. The Gen V/VI-E transmission shall include prognostic diagnostic capabilities. These capabilities shall include the monitoring of the fluid life, filter change indication, and transmission clutch maintenance.

<u>Function ID</u>	<u>Description</u>	<u>Wire assignment</u>
Inputs		
C	PTO Request	142
J	Fire Truck Pump Mode (4th Lockup)	122 / 123
Outputs		
C	Range Indicator	145 (4th)
G	PTO Enable Output	130
	Signal Return	103

### **TRANSMISSION SHIFT SELECTOR**

An Allison pressure sensitive range selector touch pad shall be provided and located to the right of the driver within clear view and easy reach. The shift selector shall have a graphical Vacuum Florescent Display (VFD) capable of displaying two lines of text. The shift selector shall provide mode indication and a prognostic indicator (wrench symbol) on the digital display. The prognostics monitor various operating parameters and shall alert you when a specific maintenance function is required.

### **ELECTRONIC TRANSMISSION OIL LEVEL INDICATOR**

The transmission fluid shall be monitored electronically.

### **TRANSMISSION PRE-SELECT WITH AUXILIARY BRAKE**

When the auxiliary brake is engaged, the transmission shall automatically shift to second gear to decrease the rate of speed assisting the secondary braking system and slowing the vehicle.

### **TRANSMISSION COOLING SYSTEM**

The transmission shall include a water to oil cooler system located in the cooling loop between the radiator and the engine. The transmission cooling system shall meet all transmission manufacturer requirements. The transmission cooling system shall feature continuous flow of engine bypass water to maintain uninterrupted transmission cooling.

### **TRANSMISSION DRAIN PLUG**

The transmission shall include an original equipment manufacturer installed magnetic transmission fluid drain plug.

### **TRANSMISSION WARRANTY**

The Allison EVS series transmission shall be warranted for a period of five (5) years with unlimited mileage. Parts and labor shall be included in the warranty.

### **PTO LOCATION**

The transmission shall have two (2) power take off (PTO) mounting locations, one (1) in the 8:00 o'clock position and one (1) in the 4:00 o'clock position.

### **DRIVELINE**

All drivelines shall be heavy duty metal tube and equipped with MSI 1710 series universal joints. The shafts shall be dynamically balanced prior to installation to alleviate future vibration. In areas of the driveline where a slip shaft is required, the splined slip joint shall be coated with Glide Coat<sup>®</sup>. The drivelines shall include Meritor brand u-joints with thrust washers.

### **MIDSHIP PUMP / GEARBOX**

A temporary jackshaft driveline shall be installed by the chassis manufacturer to accommodate the midship split shaft pump as specified by the apparatus manufacturer.

### **MIDSHIP PUMP / GEARBOX MODEL**

The midship pump/gearbox provisions shall be for a Hale QMAX-XS pump.

### **MIDSHIP PUMP GEARBOX DROP**

The Hale pump gearbox shall have an "L" (long) drop length.

### **MIDSHIP PUMP RATIO**

The ratio for the midship pump shall be 2.28:1 (23).

### **MIDSHIP PUMP LOCATION C/L SUCTION TO C/L REAR AXLE**

The midship pump shall be located so the dimension from the centerline of the suction to the centerline of the rear axle is 111.00 inches.

## **PUMP SHIFT CONTROLS**

One (1) air pump shift control panel shall be located on the left hand side of the engine tunnel, integrated with the shifter pod. The following shall be provided on the panel: a three (3) position control lever; an engraved PUMP ENGAGED identification light; and an engraved OK TO PUMP identification light. The pump shift control panel shall be black with a yellow border outline and shall include pump instructions. An instruction plate describing the transmission shift selector position used for pumping shall be provided and located so it can be read from the driver's position per NFPA 16.10.1.3. The road mode shall be selected when the control lever is in the forward position and pump mode shall be selected when the control lever is in the rearward position.

The control lever center position shall exhaust air from both pump and road sides of the pump gear box shift cylinder.

## **PUMP SHIFT CONTROL PLUMBING**

Air connections shall be provided from the air supply tank to the pump shift control valve and from the pump shift control valve to the frame mounted bracket. The frame mounted bracket shall include labeling identifying the pump and road connection points with threaded 0.25 inch NPT fittings on the solenoid for attaching the customer installed pump. The air supply shall be pressure protected from service brake system.

## **FUEL FILTER/WATER SEPARATOR**

The fuel system shall have a Fleetguard FS20121 fuel filter/water separator as a primary filter. The fuel filter shall have a drain valve.

A water in fuel sensor shall be provided and wired to an instrument panel lamp and audible alarm to indicate when water is present in the fuel/water separator.

A secondary fuel filter shall be included as approved by the engine manufacturer.

## **FUEL LINES**

The fuel system supply and return lines installed from the fuel tank to the engine shall be reinforced nylon tubing rated for diesel fuel. The fuel lines shall be brown in color and connected with brass fittings.

## **FUEL SHUTOFF VALVE**

There shall be two (2) fuel shutoff valves which shall be installed, one (1) in the fuel draw line at the primary fuel filter and one (1) in the fuel outlet line at the primary fuel filter to allow the fuel filters to be changed without loss of fuel to the fuel pump.

A third fuel shutoff valve shall be installed in the fuel draw line, near the fuel tank to allow maintenance to be performed with minimal loss of fuel.

## **ELECTRIC FUEL PRIMER**

Integral to the engine assembly is an electric lift pump that serves the purpose of pre-filter fuel priming.

### **FUEL TANK**

The fuel tank shall have a capacity of fifty (50) gallons and shall measure 35.00 inches in width X 15.00 inches in height X 24.00 inches in length.

The baffled tank shall have a vent port to facilitate venting to the top of the fill neck for rapid filling without "blow-back" and a roll over ball check vent for temperature related fuel expansion and draw.

The tank is designed with dual draw tubes and sender flanges. The tank shall have 2.00 inch NPT fill ports for right or left hand fill. A 0.50 inch NPT drain plug shall be centered in the bottom of the tank.

The fuel tank shall be mounted below the frame, behind the rear axle. Two (2) three-piece strap hanger assemblies with "U" straps bolted midway on the fuel tank front and rear shall be utilized to allow the tank to be easily lowered and removed for service purposes. Rubber isolating pads shall be provided between the tank and the upper tank mounting brackets. Strap mounting studs through the rail, hidden behind the body shall not be acceptable.

### **FUEL TANK MATERIAL AND FINISH**

The fuel tank shall be constructed of 12 gauge aluminized steel. The exterior of the tank shall be powder coated black and then painted to match the frame components.

All powder coatings, primers and paint shall be compatible with all metals, pretreatments and primers used. The cross hatch adhesion test per ASTM D3359 Method B, results to be 5B minimum. The pencil hardness test per ASTM D3363 shall have a final post-curved pencil hardness of H-2H. The direct impact resistance test per ASTM D2794, results to be 5B minimum.

Any proposals offering painted fuel tanks with variations from the above process shall not be accepted. The film thickness of vendor supplied parts shall also be sufficient to meet the performance standards as stated above.

### **FUEL TANK STRAP MATERIAL**

The fuel tank straps shall be constructed of ASTM A-36 steel. The fuel tank straps shall be powder coated black and then painted to match the frame components if possible.

### **FUEL TANK FILL PORT**

The fuel tank fill ports shall be offset with the left fill port located in the rearward position and the right fill port located in the middle position on the fuel tank.

### **FUEL TANK DRAIN PLUG**

A 0.5 inch NPT magnetic drain plug shall be centered in the bottom of the fuel tank.

### **FRONT AXLE**

The front axle shall be a Meritor Easy Steer Non drive front axle, model number MFS-20. The axle shall include a 3.74 inch drop and a 71.00 inch king pin intersection (KPI). The axle shall include a conventional style hub with a standard knuckle.

### **FRONT AXLE WARRANTY**

The front axle shall be warranted by Meritor for five (5) years with unlimited miles under the general service application. Details of the Meritor warranty are provided on the PDF document attached to this option.

### **FRONT WHEEL BEARING LUBRICATION**

The front axle wheel bearings shall be lubricated with oil. The oil level can be visually checked via clear inspection windows in the front axle hubs.

### **FRONT SHOCK ABSORBERS**

Two (2) Bilstein inert, nitrogen gas filled shock absorbers shall be provided and installed as part of the front suspension system. The shocks shall be a monotubular design and fabricated using a special extrusion method, utilizing a single blank of steel without a welded seam, achieving an extremely tight peak-to-valley tolerance and maintains consistent wall thickness. The monotubular design shall provide superior strength while maximizing heat dissipation and shock life.

The ride afforded through the use of a gas shock is more consistent and shall not deteriorate with heat, the same way a conventional oil filled hydraulic shock would.

The Bilstein front shocks shall include a digressive working piston assembly allowing independent tuning of the compression and rebound damping forces to provide optimum ride and comfort without compromise. The working piston design shall feature fewer parts than most conventional twin tube and “road sensing” shock designs and shall contribute to the durability and long life of the Bilstein shock absorbers.

Proposals offering the use of conventional twin tube or “road sensing” designed shocks shall not be considered.

### **FRONT SUSPENSION**

The front suspension shall include a ten (10) leaf spring pack in which the longest leaf measures 54.00 inch long and 4.00 inches wide and shall include a military double wrapped front eye. Both spring eyes shall have a case hardened threaded bushing installed with lubrication counter bore and lubrication land off cross bore with grease fitting. The spring capacity shall be rated at 21,500 pounds.

### **STEERING COLUMN/ WHEEL**

The cab shall include a Douglas Autotech steering column which shall include a seven (7) position tilt, a 2.25 inch telescopic adjustment, and an 18.00 inch, four (4) spoke steering wheel located at the driver’s position. The steering wheel shall be covered with black polyurethane foam padding.

The steering column shall contain a horn button, self-canceling turn signal switch, four-way hazard switch and headlamp dimmer switch.

### **ELECTRONIC POWER STEERING FLUID LEVEL INDICATOR**

The power steering fluid shall be monitored electronically and shall send a signal to activate an audible alarm and visual warning in the instrument panel when fluid level falls below normal.

### **POWER STEERING PUMP**

The hydraulic power steering pump shall be a TRW PS and shall be gear driven from the engine. The pump shall be a balanced, positive displacement, sliding vane type. The power steering system shall include an oil to air passive cooler.

### **FRONT AXLE CRAMP ANGLE**

The chassis shall have a front axle cramp angle of 48-degrees to the left and 44-degrees to the right.

### **POWER STEERING GEAR**

The power steering gear shall be a TRW model TAS 65 with an assist cylinder.

### **CHASSIS ALIGNMENT**

The chassis frame rails shall be measured to insure the length is correct and cross checked to make sure they run parallel and are square to each other. The front and rear axles shall be laser aligned. The front tires and wheels shall be aligned and toe-in set on the front tires by the chassis manufacturer.

### **REAR AXLE**

The rear axle shall be a Meritor model RS-25-160 single drive axle. The axle shall include precision forged, single reduction differential gearing, and shall have a fire service rated capacity of 27,000 pounds.

The axle shall be built of superior construction and quality components to provide the rugged dependability needed to stand up to the fire industry's demands. The axle shall include rectangular shaped, hot-formed housing with a standard wall thickness of 0.63 of an inch for extra strength and rigidity and a rigid differential case for high axle strength and reduced maintenance.

The axle shall have heavy-duty Hypoid gearing for longer life, greater strength and quieter operation. Industry-standard wheel ends for compatibility with both disc and drum brakes, and unitized oil seal technology to keep lubricant in and help prevent contaminant damage will be used.

### **REAR AXLE DIFFERENTIAL LUBRICATION**

The rear axle differential shall be lubricated with oil.

### **REAR AXLE WARRANTY**



The rear axle shall be warranted by Meritor for five (5) years with unlimited miles under the general service application. Details of the Meritor warranty are provided on the PDF document attached to this option.

### **REAR WHEEL BEARING LUBRICATION**

The rear axle wheel bearings shall be lubricated with oil.

### **VEHICLE TOP SPEED**

The top speed of the vehicle shall be approximately 68 MPH +/-2 MPH at governed engine RPM.

### **REAR SUSPENSION**

The single rear axle shall feature a Reyco 79KB vari-rate, self-leveling captive slipper type conventional multi-leaf spring suspension, with 57.50 inch X 3.00 inch springs. One (1) adjustable and one (1) fixed torque rod shall be provided.

The rear suspension capacity shall be rated from 21,000 to 31,500 pounds.

### **TIRE INTERMITTENT SERVICE RATING**

The chassis shall be rated using Intermittent Service ratings provided to the emergency vehicle market by the tire manufacturers as the basis for determining the maximum vehicle load and speed.

### **FRONT TIRE**

The front tires shall be Michelin 315/80R-22.5 20PR "L" tubeless radial XZUS 2 regional tread.

The front tire stamped load capacity shall be 20,000 pounds per axle with a nominal speed rating of 65 miles per hour when properly inflated to 130 pounds per square inch.

The Michelin Intermittent Service Rating maximum load capacity shall be 21,400 pounds per axle with a maximum speed of 65 miles per hour when properly inflated to 130 pounds per square inch.

The Michelin Intermittent Service Rating maximum speed capacity shall be 20,000 pounds per axle with a speed rating of 75 miles per hour when properly inflated to 130 pounds per square inch.

The Michelin Intermittent Service Rating limits the operation of the emergency vehicle to no more than fifty (50) miles of continuous operation under maximum recommended payload, or without stopping for at least twenty (20) minutes. The emergency vehicle must reduce its speed to no more than 50 MPH after the first fifty (50) miles of travel.

### **REAR TIRE**

The rear tires shall be Michelin 12R-22.5 16PR "H" tubeless radial XDN2 all-weather tread.

The rear tire stamped load capacity shall be 27,120 pounds per axle with a nominal speed rating of 75 miles per hour when properly inflated to 120 pounds per square inch.

The Michelin Intermittent Service Rating maximum load capacity shall be 29,020 pounds per axle with a maximum speed of 75 miles per hour when properly inflated to 120 pounds per square inch.

The Michelin Intermittent Service Rating maximum speed capacity shall match the nominal speed rating.

The Michelin Intermittent Service Rating limits the operation of the emergency vehicle to no more than fifty (50) miles of continuous operation under maximum recommended payload, or without stopping for at least twenty (20) minutes. The emergency vehicle must reduce its speed to no more than 50 MPH after the first fifty (50) miles of travel.

### **REAR AXLE RATIO**

The rear axle ratio shall be 5.13:1.

### **TIRE PRESSURE INDICATOR**

There shall be electronic chrome LED valve caps shipped loose for installation by the OEM which shall illuminate with a red LED when tire pressure drops 8psi provided. The valve caps are self-calibrating and set to the pressure of the tire upon installation.

### **FRONT WHEEL**

The front wheels shall be Alcoa hub piloted, 22.50 inch X 9.00 inch aluminum wheels featuring a mirror polish on the outer face. The hub piloted mounting system shall provide easy installation and shall include two-piece flange nuts.

### **REAR WHEEL**

The outer rear wheels shall be Alcoa hub piloted, 22.50 inch X 8.25 inch aluminum wheels with a mirror polished outer surface. The inner rear wheels shall be Alcoa hub piloted, 22.50 inch X 8.25 inch aluminum wheels with bright machine finish. The hub piloted mounting system shall provide easy installation and shall include two-piece flange nuts.

### **BRAKE SYSTEM**

A rapid build-up air brake system shall be provided. The air brakes shall include, at a minimum, a two (2) air tank, three (3) reservoir system with a total of 4152 cubic inch of air capacity. A floor mounted treadle valve shall be mounted inside the cab for graduated control of applying and releasing the brakes. An inversion valve shall be installed to provide controlled service brake application during the unlikely event of primary air supply loss. All air reservoirs provided on the chassis shall be labeled for identification.

The rear axle spring brakes shall automatically apply in any situation when the air pressure falls below 25 PSI and shall include a mechanical means for releasing the spring brakes when necessary. An audible alarm shall designate when the system air pressure is below 60 PSI.

A four (4) sensor, four (4) modulator Anti-lock Braking System (ABS) shall be installed on the front and rear axles in order to prevent the brakes from locking or skidding while braking during hard stops or on icy or wet surfaces. This in turn shall allow the driver to maintain steering control under heavy braking and in most instances, shorten the braking distance. The electronic monitoring system shall incorporate diagonal circuitry which shall monitor wheel speed during braking through a sensor and tone ring on each wheel. A dash mounted ABS lamp shall be provided to notify the driver of a system malfunction. The ABS system shall automatically disengage the auxiliary braking system device when required. The speedometer screen shall be capable of reporting all active defaults using PID/SID and FMI standards.

Additional safety shall be accommodated through Automatic Traction Control (ATC) which shall be installed on the single rear axle. The ATC system shall apply the ABS when the drive wheels lose traction. The system shall scale the electronic engine throttle back to prevent wheel spin while accelerating on ice or wet surfaces.

A momentary rocker style switch shall be provided and properly labeled “mud/snow”. When the switch is pressed once, the system shall allow a momentary wheel slip to obtain traction under extreme mud and snow conditions. During this condition the ATC light and the light on the rocker switch shall blink continuously notifying the driver of activation. Pressing the switch again shall deactivate the mud/snow feature.

### **FRONT BRAKES**

The front brakes shall be Meritor 16.50 inch x 6.00 inch S-cam drum type.

### **REAR BRAKES**

The rear brakes shall be Meritor 16.50 inch X 7.00 inch S-cam drum type. The brakes shall feature a cast iron shoe.

### **PARK BRAKE**

Upon application of the push-pull valve in the cab, the rear brakes will engage via mechanical spring force. This is accomplished by dual chamber rear brakes, satisfying the FMVSS parking brake requirements.

### **PARK BRAKE CONTROL**

A Meritor-Wabco manual hand control push-pull style valve shall operate the parking brake.

The parking brake actuation valve shall be mounted to the left side of the engine tunnel integrated into the transmission shift pod console within easy access of the driver.

### **FRONT BRAKE SLACK ADJUSTERS**

The front brakes shall include Meritor automatic slack adjusters installed on the chassis which features a simple, durable design offering reduced weight. The automatic slack adjusters shall feature a manual adjusting nut which cannot inadvertently be backed off and threaded grease fittings for easy serviceability.

## **REAR BRAKE SLACK ADJUSTERS**

The rear brakes shall include Meritor automatic slack adjusters installed on the axle which features a simple, durable design offering reduced weight. The automatic slack adjusters shall feature a manual adjusting nut which cannot inadvertently be backed off and threaded grease fittings for easy serviceability.

## **AIR DRYER**

The brake system shall include a Wabco System Saver 1200 air dryer with an integral 100 watt heater with a Metri-Pack sealed connector. The air dryer incorporates an internal turbo cutoff valve that closes the path between the air compressor and air dryer purge valve during the compressor "unload" cycle. The turbo cutoff valve allows purging of moisture and contaminants without the loss of turbo boost pressure. The air dryer shall be located on the right hand frame rail forward of the front wheel behind the right hand cab step.

## **FRONT BRAKE CHAMBERS**

The front brakes shall be provided with MGM type 30 brake chambers.

## **REAR BRAKE CHAMBERS**

The rear axle shall include TSE 30/36 brake chambers which shall convert the energy of compressed air into mechanical force and motion. This shall actuate the brake camshaft, which in turn shall operate the foundational brake mechanism forcing the brake shoes against the brake drum. The TSE Type 36 brake chamber has a 36.00 square inch effective area.

## **AIR COMPRESSOR**

The air compressor provided for the engine shall be a Wabco® SS318 single cylinder pass-through drive type compressor which shall be capable of producing 18.7 CFM at 1200 engine RPMs. The air compressor shall feature a higher delivery efficiency translating to more air delivery per horsepower absorbed. The compressor shall include an aluminum cylinder head which shall improve cooling, reduce weight and decrease carbon formation. Superior piston and bore finishing technology shall reduce oil consumption and significantly increasing the system component life.

## **AIR GOVERNOR**

An air governor shall be provided to control the cut-in and cut-out pressures of the engine mounted air compressor. The governor shall be calibrated to meet FMVSS requirements. The air governor shall be located on the air dryer bracket.

## **MOISTURE EJECTORS**

Manual pet-cock type drain valves shall be installed on all reservoirs of the air supply system.

## **AIR SUPPLY LINES**

The air system on the chassis shall be plumbed with color coded reinforced nylon tubing air lines. The primary (rear) brake line shall be green, the secondary (front) brake line red, the parking brake line orange and the auxiliary (outlet) will be blue.

Push to connect type fittings shall be used on the nylon tubing. All drop hoses shall include fiber reinforced neoprene covered hoses.

### **REAR AIR TANK MOUNTING**

If a combination of wheel base, air tank quantity, or other requirements necessitate the location of one or more air tanks to be mounted rear of the fuel tank, these tank(s) will be mounted perpendicular to frame.

### **WHEELBASE**

The chassis wheelbase shall be 195.00 inches.

### **REAR OVERHANG**

The chassis rear overhang shall be 55.00 inches.

### **FRAME**

The frame shall consist of double rails running parallel to each other with cross members forming a ladder style frame. The frame rails shall be formed in the shape of a "C" channel, with the outer rail measuring 10.25 inches high X 3.50 inches deep upper and lower flanges X 0.38 inches thick with an inner channel of 9.44 inches high X 3.13 inches deep and 0.38 inches thick. Each rail shall be constructed of 110,000 psi minimum yield high strength low alloy steel. Each double rail section shall be rated by a Resistance Bending Moment (RBM) minimum of 3,213,100 inch pounds and have a minimum section modulus of 29.21 cubic inches. The frame shall measure 35.00 inches in width.

Proposals calculating the frame strength using the "box method" shall not be considered.

Proposals including heat treated rails shall not be considered. Heat treating frame rails produces rails that are not uniform in their mechanical properties throughout the length of the rail. Rails made of high strength, low alloy steel are already at the required yield strength prior to forming the rail.

A minimum of seven (7) fully gusseted 0.25 inch thick cross members shall be installed. The inclusion of the body mounting, or bumper mounting shall not be considered as a cross member. The cross members shall be attached using zinc coated grade 8 fasteners. The bolt heads shall be flanged type, held in place by distorted thread flanged lock nuts. Each cross member shall be mounted to the frame rails utilizing a minimum of 0.25 inch thick gusset reinforcement plates at all corners balancing the area of force throughout the entire frame.

Any proposals not including additional reinforcement for each cross member shall not be considered.

All relief areas shall be cut in with a minimum 2.00 inch radius at intersection points with the edges ground to a smooth finish to prevent a stress concentration point.

## **FRAME PAINT**

The frame rails shall be hot dip galvanized prior to assembly and attachment of any components. The components that shall be galvanized shall include:

Main frame “C” channel or channels

The frame parts which are not galvanized shall be powder coated prior to any attachment of components. Parts which shall be powder coated shall include but are not limited to:

Steering gear bracket  
Front splayed rails and fish plates  
Bumper extensions  
Cross members  
Cross member gussets  
Fuel tank mounting brackets  
Fuel tank straps (unless material/finish is specified in 3130 subcat)  
Air tanks (unless color coded tanks are specified in 3205 subcat)  
Air tank mounting brackets  
Exhaust mounting brackets  
Air cleaner skid plate  
Radiator skid plate  
Battery supports, battery trays and battery covers

Other non-galvanized under carriage components which are received from the suppliers with coatings already applied shall include but are not limited to:

Suspension components  
Front and rear axles

All powder coatings, primers and paint used on the non-galvanized components shall be compatible with all metals, pretreatments and primers used. The cross hatch adhesion test per ASTM D3359 shall not have a fail of more than ten (10) squares. The pencil hardness test per ASTM D3363 shall have a final post-curved pencil hardness of H-2H. The direct impact resistance test per ASTM D2794 shall have an impact resistance of 120.00 inches per pound at 2 mils.

## **FRAME ASSEMBLY STRUCTURAL**

Purchaser shall receive a Frame Assembly Structural Fifty (50) Years or 250,000 Miles limited warranty in accordance with, and subject to, warranty certificate RFW0305. The warranty certificate is incorporated by reference into this proposal, and included with this proposal or available upon request.

## **FRAME RAIL CORROSION**

Purchaser shall receive a Frame Rail Corrosion (Zinc Plate and Powder Coat) Twenty Five (25) Years or 150,000 Miles limited warranty in accordance with, and subject to, warranty certificate RFW0316. The warranty certificate is incorporated by reference into this proposal, and included with this proposal or available upon request.

## **FRAME COMPONENTS CORROSION**

Purchaser shall receive a Frame Components Corrosion (Powder Coat) Three (3) Years or 48,000 Miles limited warranty in accordance with, and subject to, warranty certificate RFW0313. The warranty certificate is incorporated by reference into this proposal, and included with this proposal or available upon request.

## **FRONT BUMPER**

A one piece, two (2) rib wrap-around style, polished stainless steel front bumper shall be provided. The material shall be 10 gauge 304 stainless steel, 12.00 inches high and 99.00 inches wide.

## **FRONT BUMPER EXTENSION LENGTH**

The front bumper shall be extended approximately 24.00 inches ahead of the cab.

## **FRONT BUMPER SUCTION PROVISION**

The bumper apron shall include a 5.00 inch stainless steel pipe intended for use as a suction intake for the pump. The suction pipe shall be routed from the right hand front bumper area to the area rear of the front axle near the back of the cab.

The front of the suction pipe shall be designed to extend vertically 2.00 inches above the top surface of the bumper in the right hand outboard position.

The forward end of the suction pipe shall be finished with a 5.00 inch National Pipe Thread (NPT). The rear of the suction shall include a Victaulic groove for connecting to the pump plumbing. The suction pipe shall also include a 0.50 inch NPT port intended as a primer assist connection.

The apparatus manufacturer shall plumb the suction pipe to the pump and shall provide all valves as required.

## **FRONT BUMPER APRON**

The 24.00 inch extended front bumper shall include an apron constructed of 0.19 inch thick embossed aluminum tread plate.

The apron shall be installed between the bumper and the front face of the cab affixed using stainless steel bolts attaching the apron to the top bumper flange.

## **FRONT BUMPER DISCHARGE**

The chassis shall include frame mounted 2.00 inch diameter plumbed pipe intended for use as a discharge trash line. The discharge pipe shall be routed from the left hand front splay rail area behind the bumper to the area rear of the front axle, ahead of the battery box.

The discharge shall pipe shall be a, 2.00 inch stainless steel schedule 10 tube. The discharge shall include a Victaulic groove for connecting to the pump and discharge hose plumbing on each end of the tube.

The apparatus manufacturer shall plumb the discharge pipe to the pump and shall provide all valves as required.

### **FRONT BUMPER COMPARTMENT CENTER**

The front bumper shall include a compartment in the bumper apron located in the center between the frame rails which may be used as a hose well. The compartment shall be constructed of 0.13 inch 5052-H32 grade aluminum and shall include drain holes in the bottom corners to allow excess moisture to escape. The compartment shall include a cover constructed of 0.19 inch thick bright embossed aluminum tread plate.

### **FRONT BUMPER COMPARTMENT COVER HARDWARE**

The front bumper compartment cover(s) shall include gas cylinder stays which shall hold the cover open. Each cover shall be held in the closed position via a D-ring style latch.

### **AIR HORN**

The front bumper shall include two (2) Hadley brand E-Tone air horns which shall measure 21.00 inches long with a 6.00 inch round flare. The air horns shall be trumpet style with a chrome finish on the exterior and a painted finish deep inside the trumpet.

### **AIR HORN LOCATION**

The air horns shall be recess mounted in the front bumper face, one (1) on the right side of the bumper in the inboard position relative to the right hand frame rail and one (1) on the left side of the bumper in the inboard position relative to the left hand frame rail.

### **AIR HORN RESERVOIR**

One (1) air reservoir, with a 1200 cubic inch capacity, shall be installed on the chassis to act as a supply tank for operating air horns. The reservoir shall be isolated with a 90 PSI pressure protection valve on the reservoir supply side to prevent depletion of the air to the air brake system.

### **ELECTRONIC SIREN SPEAKER**

There shall be one (1) Cast Products Inc. model SA4301, 100 watt speaker provided. The speaker shall measure 6.20 inches tall X 7.36 inches wide X 3.06 inches deep. The speaker shall include a flat mounting flange which shall be polished aluminum.

### **ELECTRONIC SIREN SPEAKER LOCATION**

The electronic siren speaker shall be located on the front bumper face on the right side outboard of the frame rail in the far outboard position.

### **FRONT BUMPER TOW HOOKS**



Two (2) heavy duty tow hooks, painted to match the frame components, shall be installed below the front bumper in the forward position, bolted directly to the underside of each chassis frame rail with grade 8 bolts.

### **CAB TILT SYSTEM**

The entire cab shall be capable of tilting approximately 45-degrees to allow for easy maintenance of the engine and transmission. The cab tilt pump assembly shall be located on the right side of the chassis above the battery box.

The electric-over-hydraulic lift system shall include an ignition interlock and red cab lock down indicator lamp on the tilt control which shall illuminate when holding the “Down” button to indicate safe road operation.

It shall be necessary to activate the master battery switch and set the parking brake in order to tilt the cab. As a third precaution the ignition switch must be turned off to complete the cab tilt interlock safety circuit.

Two (2) spring-loaded hydraulic hold down hooks located outboard of the frame shall be installed to hold the cab securely to the frame. Once the hold-down hooks are set in place, it shall take the application of pressure from the hydraulic cab tilt lift pump to release the hooks.

Two (2) cab tilt cylinders shall be provided with velocity fuses in each cylinder port. The cab tilt pivots shall be 1.90 inch ball and be anchored to frame brackets with 1.25 inch diameter studs.

A steel safety channel assembly, painted safety yellow shall be installed on the right side cab lift cylinder to prevent accidental cab lowering. The safety channel assembly shall fall over the lift cylinder when the cab is in the fully tilted position. A cable release system shall also be provided to retract the safety channel assembly from the lift cylinder to allow the lowering of the cab.

### **CAB TILT CONTROL RECEPTACLE**

The cab tilt control cable shall include a receptacle which shall be temporarily located on the right hand chassis rail rear of the cab to provide a place to plug in the cab tilt remote control pendant. The tilt pump shall include 8.00 feet of cable with a six (6) pin Deutsch receptacle with a cap.

The remote control pendant shall include 20.00 feet of cable with a mating Deutsch connector. The remote control pendant shall be shipped loose with the chassis.

### **CAB TILT LOCK DOWN INDICATOR**

The cab dash shall include a message located within the dual air pressure gauge which shall alert the driver when the cab is unlocked and ajar. The alert message shall cease to be displayed when the cab is in the fully lowered position and the hold down hooks are secured and locked to the cab mounts.

In addition to the alert message an audible alarm shall sound when the cab is unlocked and ajar with the parking brake released.

### **CAB WINDSHIELD**

The cab windshield shall have a surface area of 2825.00 square inches and be of a two (2) piece wraparound design for maximum visibility.

The glass utilized for the windshield shall include standard automotive tint. The left and right windshield shall be fully interchangeable thereby minimizing stocking and replacement costs.

Each windshield shall be installed using black self locking window rubber.

### **GLASS FRONT DOOR**

The front cab doors shall include a window which is 27.00 inches in width X 26.00 inches in height. These windows shall have the capability to roll down completely into the door housing. This shall be accomplished manually utilizing a crank style handle on the inside of the door. A reinforced window regulator assembly shall be provided for severe duty use.

There shall be an irregular shaped fixed window which shall measure 2.50 inches wide at the top, 8.00 inches wide at the bottom X 26.00 inches in height, more commonly known as “cozy glass” ahead of the front door roll down windows.

The windows shall be mounted within the frame of the front doors trimmed with a black anodized ring on the exterior.

### **GLASS TINT FRONT DOOR**

The windows located in the left and right front doors shall have a standard green automotive tint which shall allow seventy-five percent (75%) light transmittance.

### **GLASS REAR DOOR RH**

The rear right hand side door shall include a window which is 27.00 inches in width X 26.00 inches in height. This window shall roll up and down manually utilizing a crank style handle on the inside of the door. A reinforced window regulator assembly shall be provided for severe duty use.

### **GLASS TINT REAR DOOR RIGHT HAND**

The window located in the right hand side rear door shall include a standard green automotive tint which shall allow seventy-five percent (75%) light transmittance.

### **GLASS REAR DOOR LH**

The rear left hand side door shall include a window which is 27.00 inches in width X 26.00 inches in height. This window shall roll up and down manually utilizing a crank style handle on the inside of the door. A reinforced window regulator assembly shall be provided for severe duty use.

### **GLASS TINT REAR DOOR LEFT HAND**

The window located in the left hand side rear door shall include a standard green automotive tint which shall allow seventy-five percent (75%) light transmittance.

## CLIMATE CONTROL

A ceiling mounted combination defroster and cabin heating and air conditioning system shall be located above the engine tunnel area. The system covers and plenums shall be of severe duty design made of aluminum which shall be coated with a customer specified interior paint. The design of the system's covers shall provide quick access to washable air intake filters as well as easy access to other serviceable items.

The air delivery plenums provide targeted airflow directly to the vehicle occupants. Six (6) adjustable louvers will provide comfort for the front seat occupants and ten (10) adjustable louvers will provide comfort for the rear crew occupants.

The system shall be capable of producing up to 12 FPM of air velocity at all occupant seating positions. Separate front and rear blower motors shall be of brushless design and shall be controlled independently. It shall be capable of reducing the interior cabin air temperature from 122° F (+/- 3° F) to 80° F in thirty minutes with 50% relative humidity and full solar load as described in SAE J2646.

The system shall also provide heater pull up performance which meets or exceeds the performance requirements of SAE J1612 as well as defrost performance that meets or exceeds the performance requirements of SAE J381.

A gravity drain system shall be provided that is capable of evacuating condensate from the vehicle while on a slope of up to a 13% grade in any direction.

The air conditioning system plumbing shall be a mixture of custom bent zinc coated steel fittings and Aeroquip flexible hose with Aeroquip EZ-Clip fittings.

The overhead heater/defroster plumbing shall include an electronic flow control valve that re-directs hot coolant away from the evaporator, via a bypass loop, as the temperature control is moved toward the cold position.

Any component which needs to be accessed to perform system troubleshooting shall be accessible by one person using basic hand tools. Regularly serviced items shall be replaceable by one person using basic hand tools.

***\*\*The chassis manufacturer recommends that the overall climate system performance be based off third-party testing in accordance with the Society of Automotive Engineering standards as a complete system.***

***Individual component level BTU ratings is not an accurate indicator of the performance capability of the completed system. System individual component BTU ratings:***

- Air conditioning evaporator total BTU/HR: 82,000
- Air conditioning condenser total BTU/HR: 59,000
- Heater coil total BTU/HR: 98,000

***Performance data specified is based on testing performed by an independent third-party test facility using a medium four-door 10" raised roof cab equipped with an ISL engine.***

## **CLIMATE CONTROL DRAIN**

The climate control system shall include a gravity drain for water management. The gravity drain shall remove condensation from the air conditioning system without additional mechanical assistance.

## **CLIMATE CONTROL ACTIVATION**

The heating, defrosting and air conditioning controls shall be in the center dash driver's switch panel, in a position which is easily accessible to the driver. The climate control shall be activated by a rotary switch.

## **HVAC OVERHEAD COVER PAINT**

The overhead HVAC cover shall be painted with a multi-tone silver gray texture finish.

## **A/C CONDENSER LOCATION**

A roof mounted A/C condenser shall be installed centered on the cab forward of the raised roof against the slope rise.

## **A/C COMPRESSOR**

The air-conditioning compressor shall be a belt driven, engine mounted compressor. The compressor shall be compatible with R134-a refrigerant.

***\*\*The chassis manufacturer recommends that the overall climate system performance be based off third-party testing in accordance with the Society of Automotive Engineering standards as a complete system.***

***Individual component level ratings are not an accurate indicator of the performance capability of the completed system.***

Refrigerant Compressor displacement: 19.1 cubic inches per revolution.

## **UNDER CAB INSULATION**

The underside of the cab tunnel surrounding the engine shall be lined with multi-layer insulation, engineered for application inside diesel engine compartments.

The insulation shall act as a noise barrier, absorbing noise thus keeping the decibel level in the cab well within NFPA recommendations. As an additional benefit, the insulation shall assist in sustaining the desired temperature within the cab interior.

The engine tunnel insulation shall measure approximately 0.30 inch thick including a multi-layer foil faced glass cloth and polyester fiber layer. The foil surface acts as protection against heat, moisture and other contaminants. The insulation shall meet or exceed FMVSS 302 flammability test.

The insulation shall be cut precisely to fit each section and sealed for additional heat and sound deflection. The insulation shall be held in place by acrylic pressure sensitive adhesive.

## **INTERIOR TRIM FLOOR**

The floor of the cab shall be covered with a multi-layer mat consisting of 0.25 inch thick sound absorbing closed cell foam with a 0.06 inch thick non-slip vinyl surface with a pebble grain finish. The covering shall be held in place by a pressure sensitive adhesive and aluminum trim molding. All exposed seams shall be sealed with silicone caulk matching the color of the floor mat to reduce the chance of moisture and debris retention.

## **INTERIOR TRIM**

The cab interior shall include trim on the front ceiling, rear crew ceiling, and the cab walls. It shall be easily removable to assist in maintenance. The trim shall be constructed of insulated vinyl over a hard board backing.

## **REAR WALL INTERIOR TRIM**

The rear wall of the cab shall be trimmed with vinyl.

## **HEADER TRIM**

The cab interior shall feature header trim over the driver and officer dash constructed of 5052-H32 Marine Grade, 0.13 inch thick aluminum.

## **TRIM CENTER DASH**

The main center dash area shall be constructed of 5052-H32 Marine Grade, 0.13 inch thick aluminum plate. There shall be four (4) holes located on the top of the dash near each outer edge of the electrical access cover for ventilation. The center dash electrical access cover shall include a gas cylinder stay which shall hold the cover open during maintenance.

## **TRIM LH DASH**

The left hand dash shall be constructed of 5052-H32 Marine Grade, 0.13 inch thick aluminum plate for a perfect fit around the instrument panel. For increased occupant protection the extreme duty left hand dash utilizes patent pending break away technology to reduce rigidity in the event of a frontal crash. The left hand dash shall offer lower vertical surface area to the left and right of the steering column to accommodate control panels.

## **TRIM RH DASH**

The right hand dash shall be constructed of 5052-H32 Marine Grade, 0.13 of an inch thick aluminum plate and shall include a glove compartment with a hinged door and a Mobile Data Terminal (MDT) provision. The glove compartment size will measure 14.00 inches wide X 6.38 inches high X 5.88 inches deep. The MDT provision shall be provided above the glove compartment.

## **ENGINE TUNNEL TRIM**

The cab engine tunnel shall be covered with a multi-layer mat consisting of 0.25 inch closed cell foam with a 0.06 inch thick non-slip vinyl surface with a pebble grain finish. The mat shall be held in place by pressure sensitive adhesive. The engine tunnel mat shall be trimmed with anodized aluminum stair nosing trim for an aesthetically pleasing appearance.

### **POWER POINT DASH MOUNT**

The cab shall include a 12 volt cigarette lighter type receptacle in the cab dash to provide a power source for 12 volt electrical equipment. The cab shall also include one (1) Blue Sea dual universal serial bus (USB) charging receptacle in the cab dash switch panel to provide a power source for USB chargeable electrical equipment. The USB port shall be capable of a 5 Volt-4.8 amp total output. The receptacles shall be wired battery direct.

### **STEP TRIM**

Each cab entry door shall include a three step entry. The first step closest to the ground shall be constructed of SAE 304 stainless steel with embossed perforations and diamond shaped cutout. The perforations and cutouts shall allow water and other debris to flow through rather than becoming trapped within the stepping surface. The step shall feature a splash guard to reduce water and debris from splashing in to the step. The splash guard shall have drainage holes beneath the back of the step to allow debris and water to flow through rather than becoming trapped within the stepping surface. The stainless steel material shall have a number 8 mirror finish. The lower step shall be mounted to a frame which is integral with the construction of the cab for rigidity and strength. The middle step shall be integral with the cab construction and shall be trimmed with a Flex-Tred® adhesive grit surface material.

### **UNDER CAB ACCESS DOOR**

The cab shall include an aluminum access door in the left crew step riser painted to match the cab interior paint with a push and turn latch. The under cab access door shall provide access to the diesel exhaust fluid fill.

### **INTERIOR DOOR TRIM**

The interior trim on the doors of the cab shall consist of an aluminum panel constructed of Marine Grade 5052-H32 0.13 of an inch thick aluminum plate. The door panels shall include a painted finish.

### **DOOR TRIM CUSTOMER NAMEPLATE**

The interior door trim on the front doors shall include a customer nameplate which states the vehicle was custom built for their Department.

### **CAB DOOR TRIM REFLECTIVE**

The interior of each door shall include high visibility reflective tape. A white reflective tape shall be provided vertically along the outer rear edge of the door. The lowest portion of each door skin shall include a reflective tape chevron with red and white stripes. The chevron tape shall measure 6.00 inches in height.

### **INTERIOR GRAB HANDLE "A" PILLAR**

There shall be two (2) rubber covered 11.00 inch grab handles installed inside the cab, one on each “A” post at the left and right door openings. The left handle shall be located 7.88 inches above the bottom of the door window opening and the right handle shall be located 2.88 inches above the bottom of the door window opening. The handles shall assist personnel in entering and exiting the cab.

#### **INTERIOR GRAB HANDLE FRONT DOOR**

Each front door shall include one (1) ergonomically contoured 9.00 inch cast aluminum handle mounted horizontally on the interior door panels. The handles shall feature a textured black powder coat finish to assist personnel entering and exiting the cab.

#### **INTERIOR GRAB HANDLE REAR DOOR**

A black powder coated cast aluminum assist handle shall be provided on the inside of each rear crew door. A 30.00 inch long handle shall extend horizontally the width of the window just above the window sill. The handle shall assist personnel in exiting and entering the cab.

#### **INTERIOR SOFT TRIM COLOR**

The cab interior soft trim surfaces shall be gray in color.

#### **INTERIOR TRIM SUNVISOR**

The header shall include two (2) sun visors, one each side forward of the driver and officer seating positions above the windshield. Each sun visor shall be constructed of Masonite and covered with padded vinyl trim.

#### **INTERIOR FLOOR MAT COLOR**

The cab interior floor mat shall be gray in color.

#### **CAB PAINT INTERIOR DOOR TRIM**

The inner door panel surfaces shall be painted with multi-tone silver gray texture finish.

#### **HEADER TRIM INTERIOR PAINT**

The metal surfaces in the header area shall be coated with multi-tone silver gray texture finish.

#### **TRIM CENTER DASH INTERIOR PAINT**

The entire center dash shall be coated with multi-tone silver gray texture finish. Any accessory pods attached to the dash shall also be painted this color.

#### **TRIM LH DASH INTERIOR PAINT**

The left hand dash shall be painted with a multi-tone silver gray texture finish.

## **TRIM RIGHT HAND DASH INTERIOR PAINT**

The right hand dash shall be painted with multi-tone silver gray texture finish.

## **DASH PANEL GROUP**

The main center dash area shall include three (3) removable panels located one (1) to the right of the driver position, one (1) in the center of the dash and one (1) to the left of the officer position. The center panel shall be within comfortable reach of both the driver and officer.

## **SWITCHES CENTER PANEL**

The center dash panel shall include twelve (12) rocker switch positions in a six (6) over six (6) switch configuration in the left portion of the panel.

A rocker switch with a blank legend installed directly above shall be provided for any position without a switch and legend designated by a specific option. The non-specified switches shall be two-position, black switches with a green indicator light. Each blank switch legend can be custom engraved by the body manufacturer. All switch legends shall have backlighting provided.

## **SWITCHES LEFT PANEL**

The left dash panel shall include eight (8) switches in a single row configuration. Five (5) of the switches shall be rocker type and the left three (3) shall be the headlight switch, the instrument lamp dimmer switch and the windshield wiper/washer control switch.

A rocker switch with a blank legend installed directly above shall be provided for any position not designated by a specific option. The non-designated switches shall be two-position, black switches with a green indicator light. Each blank switch legend can be custom engraved by the body manufacturer. All switch legends shall have backlighting provided.

## **SWITCHES RIGHT PANEL**

The right dash panel shall include no rocker switches or legends.

## **SEAT BELT WARNING**

A Weldon seat belt warning system, integrated with the Vehicle Data Recorder system, shall be installed for each seat within the cab. The system shall activate a digital seat position indicator with a seat position legend and integrated audible alarm in the switch panel.

The warning system shall activate when any seat is occupied with a minimum of 60 pounds and the corresponding seat belt remains unfastened. The warning system shall also activate when any seat is occupied and the corresponding seat belt was fastened in an incorrect sequence. Once activated, the visual indicators and applicable audible alarm shall remain active until all occupied seats have the seat belts fastened.

## **SEAT MATERIAL**



The Bostrom Firefighter seats shall include a covering of extra high strength, wear resistant fabric made of durable low seam Durawear Plus™ ballistic polyester. A PVC coating shall be bonded to the back side of the material to help protect the seats from UV rays and from being saturated or contaminated by fluids. Durawear Plus™ meets or exceeds specification of the common trade name Imperial 1800. The material meets FMVSS 302 flammability requirements.

*If applicable, Theatre style seats located in the cab shall be high strength, wear resistant fabric made of durable ballistic polyester. A PVC coating shall be bonded to the back side of the material to help protect the seats from UV rays and from being saturated or contaminated by fluids. Common trade names for this material are Imperial 1200 and Durawear.*

## **SEAT COLOR**

All seats supplied with the chassis shall be gray in color. All seats shall include red seat belts.

## **SEAT BACK LOGO**

The seat backs shall include the “Alexis” logo centered on the standard headrest of the seat back and on the left side of a split headrest.

## **SEAT DRIVER**

The driver's seat shall be an H.O. Bostrom 500 Series Firefighter Sierra model seat. The seat shall feature eight-way electric positioning. The eight positions shall include up and down, fore and aft with 8.00 inches of travel, back angle adjustment and seat rake adjustment. The seat shall feature integral springs to isolate shock.

The seat shall feature an all belts to seat (ABTS) style of safety restraint. The ABTS feature shall include a three-point shoulder harness with the lap belt, automatic retractor and buckle as an integral part of the seat assembly. The ABTS feature shall also include the RiteHite™ shoulder adjustment feature to provide enhanced comfort and safety by allowing customized seat belt fit.

The minimum vertical dimension from the seat H-point to the ceiling for this belted seating position shall be 35.00 inches measured with the seat height adjusted to the lowest position of travel.

This model of seat shall have successfully completed the static load tests set forth by FMVSS 207, 209, and 210 in effect at the time of manufacture. This testing shall include a simultaneous forward load of 3000 pounds each on the lap and shoulder belts and twenty (20) times the weight through the center of gravity.

The materials used in construction of the seat shall also have successfully completed testing with regard to the flammability of materials used in the occupant compartments of motor vehicles as outlined in FMVSS 302, of which dictates the allowable burning rate of materials in the occupant compartments of motor vehicles.

## **SEAT BACK DRIVER**

The driver's seat shall include a standard seat back incorporating the all belts to seat feature (ABTS). The seat back shall feature a contoured head rest.

## **SEAT MOUNTING DRIVER**

The driver's seat shall be installed in an ergonomic position in relation to the cab dash.

## **SEAT OFFICER**

The officer's seat shall be a H.O. Bostrom 500 Series Sierra seat model. The seat shall feature a tapered and padded seat, and cushion. The seat shall be mounted in a fixed position.

The seat shall feature an all belts to seat (ABTS) style of safety restraint. The ABTS feature shall include a three-point shoulder harness with the lap belt and automatic retractor as an integral part of the seat assembly. The buckle portion of the seat belt shall extend from the seat base towards the driver position within easy reach of the occupant. The ABTS feature shall also include the RiteHite™ shoulder adjustment feature to provide enhanced comfort and safety by allowing customized seat belt fit.

The minimum vertical dimension from the seat H-point to the ceiling for this belted seating position shall be 35.00 inches.

This model of seat shall have successfully completed the static load tests by FMVSS 207/210. This testing shall include a simultaneous forward load of 3000 pounds each on the lap and shoulder belts and twenty (20) times the weight through the center of gravity. This model of seat installed in the cab model, as specified, shall have successfully completed the dynamic sled testing using FMVSS 208 as a guide with the following accommodations. In order to reflect the larger size outfitted firefighters, the test dummy used shall be a 95th percentile hybrid III male weighing 225 pounds rather than the 50th percentile male dummy weighing 165 pounds as referenced in FMVSS 208. The model of seats shall also have successfully completed the flammability of materials used in the occupant compartments of motor vehicles as outlined in FMVSS 302, of which decides the burning rate of materials in the occupant compartments of motor vehicles.

## **SEAT BACK OFFICER**

The officer's seat shall feature a SecureAll™ SCBA locking system which shall be one bracket model and store most U.S. and International SCBA brands and sizes while in transit or for storage within the seat back. The bracket shall be easily adjustable for all SCBA brands and cylinder diameters. All adjustment points shall utilize similar hardware and adjustments shall be made with one tool.

The bracket shall be adjustable to compensate for different cylinder lengths without the use of tools. The adjustment shall be made by raising a lever and moving the top clamp vertically.

The bracket system shall be free of straps and clamps that may interfere with auxiliary equipment on SCBA units. The center guide fork shall keep the SCBA tank in place for a safe and comfortable fit in the seat back cavity. The SCBA unit simply needs to be pushed against the pivot arm to engage the patented auto-locking system. Once the lock is engaged, the top clamp shall surround the top of the SCBA tank for a secure fit in all directions.

The SecureAll™ shall include a release handle which shall be integrated into the seat cushion for quick and easy release. This shall eliminate the need for straps or pull cords to interfere with other SCBA equipment.

The seat back shall include a removable padded cover which shall be provided over the SCBA cavity.

### **SEAT MOUNTING OFFICER**

The officer's seat shall be installed in an ergonomic position in relation to the cab dash.

### **POWER SEAT WIRING**

The power seat or seats installed in the cab shall be wired directly to battery power.

### **SEAT BELT ORIENTATION CREW**

The crew position seat belts shall follow the standard orientation which extends from the outboard shoulder extending to the inboard hip.

### **SEAT FORWARD FACING CENTER LOCATION**

The crew area shall include two (2) forward facing center crew seats with both located at the center of the rear wall.

### **SEAT CREW FORWARD FACING CENTER**

The forward facing center seat shall be a H.O. Bostrom 500 Series Firefighter model seat. The seat shall feature a tapered and padded seat, and cushion. The seat shall be mounted in a fixed position. The seat and cushion shall be hinged and compact in design for additional room. The seat shall include a "Fold and Hold" feature so that the cushion shall remain in the seated position and simply touched to flip up.

The seat shall feature an all belts to seat (ABTS) style of safety restraint. The ABTS feature shall include a three-point shoulder harness with the lap belt and automatic retractor as an integral part of the seat assembly. The buckle portion of the seat belt shall extend from the seat base towards the driver position within easy reach of the occupant. The ABTS feature shall also include the RiteHite™ shoulder adjustment feature to provide enhanced comfort and safety by allowing customized seat belt fit.

The minimum vertical dimension from the seat H-point to the ceiling for each belted seating position shall be 35.00 inches.

This model of seat shall have successfully completed the static load tests by FMVSS 207/210. This testing shall include a simultaneous forward load of 3000 pounds each on the lap and shoulder belts and twenty (20) times the weight through the center of gravity. This model of seat installed in the cab model, as specified, shall have successfully completed the dynamic sled testing using FMVSS 208 as a guide with the following accommodations. In order to reflect the larger size outfitted firefighters, the test dummy used shall be a 95th percentile hybrid III male weighing 225 pounds rather than the 50th percentile male dummy weighing 165 pounds as referenced in FMVSS 208. The model of seats shall also have successfully completed the flammability of materials used in the occupant compartments of motor vehicles as outlined in FMVSS 302, of which decides the burning rate of materials in the occupant compartments of motor vehicles.

### **SEAT BACK FORWARD FACING CENTER**

The forward facing center seat shall feature a SecureAll™ self contained breathing apparatus (SCBA) locking system which shall be one bracket model and store most U.S. and International SCBA brands and sizes while in transit or for storage within the seat back. The bracket shall be easily adjustable for all SCBA brands and cylinder diameters. All adjustment points shall utilize similar hardware and adjustments shall be made with one tool.

The bracket shall be adjustable to compensate for different cylinder lengths without the use of tools. The adjustment shall be made by raising a lever and moving the top clamp vertically.

The bracket system shall be free of straps and clamps that may interfere with auxiliary equipment on SCBA units. The center guide fork shall keep the SCBA tank in place for a safe and comfortable fit in the seat back cavity. The SCBA unit simply needs to be pushed against the pivot arm to engage the patented auto- locking system. Once the lock is engaged, the top clamp shall surround the top of the SCBA tank for a secure fit in all directions.

The SecureAll™ shall include a release handle which shall be integrated into the seat cushion for quick and easy release. This shall eliminate the need for straps or pull cords to interfere with other SCBA equipment.

The seat back shall include a removable padded cover which shall be provided over the SCBA cavity.

#### **SEAT FRAME FORWARD FACING**

The forward facing center seating positions shall include an enclosed seat frame located and installed on the rear wall. The seat frame shall measure 42.38 inches wide X 12.38 inches high X 22.00 inches deep. The seat frame shall be constructed of Marine Grade 5052-H32 0.19 inch thick aluminum plate. The seat box shall be painted with the same color as the remaining interior.

#### **SEAT FRAME FORWARD FACING STORAGE ACCESS**

There shall be two (2) access points to the seat frame storage area, one (1) on each side of the seat frame. Each access point shall be covered by a hinged door which measures 15.00 inches in width X 10.63 inches in height with an opening that measures 13.75 inches wide X 10.00 inches high.

#### **SEAT MOUNTING FORWARD FACING CENTER**

The forward facing center seats shall offer a special mounting. The seats shall be installed 6.00 inches apart offering additional room for each occupant.

#### **CAB FRONT UNDERSEAT STORAGE ACCESS**

The left and right under seat storage areas shall have a solid aluminum hinged door with non-locking latch.

#### **SEAT COMPARTMENT DOOR FINISH**

All underseat storage compartment access doors shall have a multi-tone silver gray texture finish.

#### **WINDSHIELD WIPER SYSTEM**

The cab shall include a triple arm linkage wiper system which shall clear the windshield of water, ice and debris. There shall be two (2) windshield wipers; each shall be affixed to a radial arm. The wiper motor shall be activated by an intermittent wiper control located within easy reach of the driver's position.

### **ELECTRONIC WINDSHIELD FLUID LEVEL INDICATOR**

The windshield washer fluid level shall be monitored electronically. When the washer fluid level becomes low the yellow "Check Message Center" indicator light on the instrument panel shall illuminate and the message center in the dual air pressure gauge shall display a "Check Washer Fluid Level" message.

### **CAB DOOR HARDWARE**

The cab entry doors shall be equipped with exterior pull handles, suitable for use while wearing firefighter gloves. The handles shall be made of a fiber reinforced plastic composite with a black matt finish.

The interior exit door handles shall be flush paddle type with a black finish, which are incorporated into the upper door panel.

All cab entry doors shall include locks which are keyed alike. The door locks shall be designed to prevent accidental lockout.

### **DOOR LOCKS**

Each cab entry door shall include a manually operated door lock. Each door lock may be actuated from the inside of the cab by means of a red knob located on the paddle handle of the respective door or by using a TriMark key from the exterior. The door locks are designed to prevent accidental lock out.

### **DOOR LOCK LH EMS COMPARTMENT**

The left hand side EMS compartment shall feature a manual door lock.

### **DOOR LOCK RH EMS COMPARTMENT**

The right hand side EMS compartment shall feature a manual door lock.

### **GRAB HANDLES**

The cab shall include one (1) 18.00 inch knurled, anti-slip, one-piece exterior assist handle behind each cab door. The grab handle shall be made of SAE 304 stainless steel and be 1.25 inch diameter to enable non-slip assistance with a gloved hand.

### **REARVIEW MIRRORS**

Retrac Aerodynamic West Coast style dual vision mirror heads model 613305 shall be provided and installed on each of the front cab doors.

The mirrors shall be mounted via 1.00 inch diameter tubular stainless steel arms to provide a rigid mounting to reduce mirror vibration.

The mirrors shall measure 8.00 inches wide X 19.00 inches high and shall include an integral convex mirrors installed in the mirror head below the flat glass to provide a wider field of vision. The flat and convex mirrors shall be motorized with remote horizontal and vertical adjustment. The control switches shall be mounted within easy reach of the driver. The flat and convex mirrors shall be heated for defrosting in severe cold weather conditions.

The mirrors shall be constructed of a vacuum formed chrome plated ABS plastic housing that is corrosion resistant and shall include the finest quality non-glare glass.

### **REARVIEW MIRROR HEAT SWITCH**

The heat for the rearview mirrors shall be controlled through a rocker switch on the dash in the switch panel.

### **CAB FENDER**

Full width wheel well liners shall be installed on the extruded cab to limit road splash and enable easier cleaning. Fender shall consist of an inner liner 16.00 inches wide made of ABS composite and an outer fenderette 3.50 inches wide made of SAE 304 polished stainless steel.

### **MUD FLAPS FRONT**

The front wheel wells shall have mud flaps installed on them.

### **CAB EXTERIOR FRONT & SIDE EMBLEMS**

The cab shall include three (3) Spartan emblems. There shall be one (1) installed on the front air intake grille and one (1) emblem on each of the cab sides.

### **IGNITION**

A master battery system with a keyless start ignition system shall be provided. Each system shall be controlled by a one-quarter turn Cole Hersee switch, both of which shall be mounted to the left of the steering wheel on the dash. A chrome push type starter button shall be provided adjacent to the master battery and ignition switches.

Each switch shall illuminate a green LED indicator light on the dash when the respective switch is placed in the "ON" position.

The starter button shall only operate when both the master battery and ignition switches are in the "ON" position.

### **BATTERY**

The single start electrical system shall include six (6) Harris BCI 31 925 CCA batteries with a 210 minute reserve capacity and 4/0 welding type dual path starter cables per SAE J541.

### **BATTERY TRAY**

The batteries shall be installed within two (2) steel battery trays located on the left side and right side of the chassis, securely bolted to the frame rails. The battery trays shall be coated with the same material as the frame.

The battery trays shall include drain holes in the bottom for sufficient drainage of water. A durable, non-conducting, interlocking mat made by Dri-Dek shall be installed in the bottom of the trays to allow for air flow and help prevent moisture build up. The batteries shall be held in place by non-conducting phenolic resin hold down boards.

### **BATTERY BOX COVER**

Each battery box shall include a steel cover which protects the top of the batteries. Each cover shall include flush latches which shall keep the cover secure as well as a black powder coated handle for convenience when opening.

### **BATTERY CABLE**

The starting system shall include cables which shall be protected by 275 degree F. minimum high temperature flame retardant loom, sealed at the ends with heat shrink and sealant.

### **BATTERY JUMPER STUD**

The starting system shall include battery jumper studs. These studs shall be located in the forward most portion of the driver's side lower step, 8.00 inches apart. The studs shall allow the vehicle to be jump started, charged, or the cab to be raised in an emergency in the event of battery failure.

### **ALTERNATOR**

The charging system shall include a 320 amp Leece-Neville 12 volt alternator. The alternator shall include a self-exciting integral regulator.

### **STARTER MOTOR**

The single start electrical system shall include a Delco brand starter motor.

### **BATTERY CONDITIONER**

A Progressive Dynamics model PD2140, 40 amp battery conditioner shall be supplied. The battery conditioner shall be mounted in the cab in the LH rear facing outer seating position. The PD2140 charger shall keep the vehicle batteries charged when connected to shoreline power. The battery conditioner face shall include a digital display integral to the conditioner.

### **AUXILIARY AIR COMPRESSOR**

A Kussmaul Auto Pump 120V air compressor shall be supplied. The air compressor shall be installed behind the officer's seat. The air compressor shall be plumbed to the air brake system to maintain air pressure.

### **ELECTRICAL INLET LOCATION**

An electrical inlet shall be installed on the left hand side of cab over the wheel well in the forward position rear of the grab handle and above the door entry key pad if applicable.

### **ELECTRICAL INLET**

A Kussmaul 20 amp super auto-eject electrical receptacle shall be supplied. It shall automatically eject the plug when the starter button is depressed.

A single item or an addition of multiple items must not exceed the rating of the electric inlet that it's connected to.

#### ***Amp Draw Reference List:***

*Kussmaul 40 LPC Charger - 5 Amps*  
*Kussmaul 40/20 Charger - 8.5 Amps*  
*Kussmaul 80 LPC Charger - 13 Amps*  
*Kussmaul EV-40 - 6.2 Amps*  
*Blue Sea P12 7532 - 7.5 Amps*  
*Iota DLS-45/IQ4 - 11 Amps*  
*1000W Engine Heater - 8.33 Amps*  
*1500W Engine Heater - 12.5 Amps*  
*120V Air Compressor - 4.2 Amps*  
*120V Dometic HVAC - 15 Amps*

### **ELECTRICAL INLET CONNECTION**

The electrical inlet shall be connected to the battery conditioner and the air pump.

### **ELECTRICAL INLET COLOR**

The electrical inlet connection shall include a red cover.

### **HEADLIGHTS**

The cab front shall include four (4) rectangular LED headlamps with separate high and low beams mounted in bright chrome bezels. Each lamp shall include a heating system that de-ices the headlight.

### **HEADLIGHT LOCATION**

The headlights shall be located on the front fascia of the cab directly above the front warning lights.

### **FRONT TURN SIGNALS**



The front fascia shall include two (2) Whelen model 600 4.00 inches X 6.00 inches programmable amber LED turn signals which shall be installed in an outboard position within the front fascia chrome bezel.

### **SIDE TURN/MARKER LIGHTS**

The sides of the cab shall include two (2) Tecniq S170 LED side marker lights which shall be provided just behind the front cab radius corners. The lights shall be amber with chrome bezels.

### **MARKER AND ICC LIGHTS**

In accordance with FMVSS, there shall be five (5) marker lamps on the front of the vehicle designating identification and clearance. There shall be five (5) face mounted lights integrated into the scene light.

### **HEADLIGHT AND MARKER LIGHT ACTIVATION**

The headlights and marker lights shall be controlled through a rocker switch within easy reach of the driver. There shall be a dimmer switch within easy reach of the driver to adjust the brightness of the dash lights. The headlamps shall be equipped with the "Daytime Running" light feature, which shall illuminate the headlights when the ignition switch is in the "On" position and the parking brake is released.

### **INTERIOR OVERHEAD LIGHTS**

The cab shall include a LED dome lamp located over each door. The lights shall include push switches on each lamp to activate both the clear and red portions of the light individually.

### **INTERIOR OVERHEAD LIGHTS ACTIVATION**

The clear portion of each lamp shall be activated by opening the respective door.

### **LIGHTBAR PROVISION**

There shall be one (1) light bar installed on the cab roof. The light bar shall be provided and installed by the chassis manufacturer. The light bar installation shall include a lowered mounting that shall place the light bar just above the junction box and wiring to a control switch on the cab dash.

### **CAB FRONT LIGHTBAR MODEL**

The cab shall be provided with one (1) Whelen model F4N72 light bar. The light bar shall be 72.00 inches in length and feature eighteen (18) customizable pods.

See the light bar layout for specific details.

### **LIGHTBAR SWITCH**

The light bar shall be controlled by a rocker switch located on the switch panel. This switch shall be clearly labeled for identification.

## **FRONT SCENE LIGHTS**

The front of the cab shall include one (1) HiViz model FireTech FT-B-72-ML-B LED scene light installed on the brow of the cab. The light shall feature (5) five integrated marker lights.

The housing shall be powder coated black.

## **FRONT SCENE LIGHT LOCATION**

There shall be one (1) scene light mounted center on the front brow of the cab.

## **FRONT SCENE LIGHTS ACTIVATION**

The front scene lighting shall be activated by individual rocker switches for each of the three (3) separate scene lighting circuits. Each circuit shall be activated independently and shall include rocker switches labeled “Front Scene”, “Front Flood”, and “Front Spotlight”.

## **SIDE SCENE LIGHTS**

The side of the cab shall include two (2) Whelen 900 series 9SC0ENZR model scene lights, one (1) each side which shall be surface mounted with a chrome bezel. The Whelen lights shall offer LED lighting at a gradient 32-degree angle.

## **SIDE SCENE LIGHT LOCATION**

The scene lighting located on the left and right sides of the cab shall be mounted rearward of the cab “B” pillar in the 10.00 inch raised roof portion of the cab between the front and rear crew doors.

## **SIDE SCENE ACTIVATION**

The scene lights shall be activated by two (2) rocker switches located in the switch panel, one (1) for each light, and by opening the respective side cab doors.

## **GROUND LIGHTS**

Each door shall include a Tecniq T44 LED ground light mounted to the underside of the cab step below each door. The lights shall include a polycarbonate lens, a housing which is vibration welded and LEDs which shall be shock mounted for extended life.

## **GROUND LIGHTS**

The ground lighting shall be activated when the parking brake is set, by the opening of the door on the respective cab side, and a rocker switch in the dash panel.

## **LOWER CAB STEP LIGHTS**

The middle step located at each door shall include a Tecniq T44 LED light which shall activate with the opening of the respective door. The lights shall include a polycarbonate lens, a housing which is vibration welded and LEDs which shall be shock mounted for extended life.

### **INTERMEDIATE STEP LIGHTS**

The intermediate step well area at the front doors shall include a TecNiQ D06 LED light within a chrome housing. The front egress step lights shall provide visibility to the step well area for the first step exiting the vehicle. The Egress step lights shall activate with entry step lighting.

### **ENGINE COMPARTMENT LIGHT**

There shall be a LED NFPA compliant light mounted under the engine tunnel for area work lighting on the engine. The light shall activate automatically when the cab is tilted.

### **DO NOT MOVE APPARATUS LIGHT**

The front headliner of the cab shall include a flashing red TecNiQ K50 LED light clearly labeled "Do Not Move Apparatus". In addition to the flashing red light, an audible alarm shall be included which shall sound while the light is activated.

The flashing red light shall be located centered left to right for greatest visibility.

The light and alarm shall be interlocked for activation when either a cab door is not firmly closed, or an apparatus compartment door is not closed, and the parking brake is released.

### **MASTER WARNING SWITCH**

A master switch shall be included in the main rocker switch panel. The switch shall be a rocker type, red in color and labeled "Master" for identification. The switch shall feature control over all devices wired through it. Any warning device switch left in the "ON" position shall automatically power up when the master switch is activated.

### **HEADLIGHT FLASHER**

An alternating high beam headlight flashing system shall be installed into the high beam headlight circuit which shall allow the high beams to flash alternately from left to right.

Deliberate operator selection of high beams will override the flashing function until low beams are again selected. Per NFPA, these clear flashing lights will also be disabled "On Scene" when the park brake is applied.

### **HEADLIGHT FLASHER SWITCH**

The flashing headlights shall be activated through a rocker switch on the switch panel. The rocker switch shall be clearly labeled for identification.

### **INBOARD FRONT WARNING LIGHTS**

The cab front fascia shall include two (2) Whelen 600 series Super LED front warning lights in the left and right inboard positions. The lights shall feature multiple flash patterns including steady burn for solid colors and multiple flash patterns for split colors. The lights shall be mounted to the front fascia of the cab within a chrome bezel.

### **INBOARD FRONT WARNING LIGHTS COLOR**

The warning lights mounted on the cab front fascia in the inboard positions shall be red.

### **FRONT WARNING SWITCH**

The front warning lights shall be controlled via rocker switch on the panel. This switch shall be clearly labeled for identification.

### **INTERSECTION WARNING LIGHTS**

The chassis shall include two (2) Whelen 600 series Super LED intersection warning lights, one (1) each side. The lights shall feature multiple flash patterns including steady burn for solid colors and multiple flash patterns for split colors.

### **INTERSECTION WARNING LIGHTS COLOR**

The intersection lights shall be red.

### **INTERSECTION WARNING LIGHTS LOCATION**

The intersection lights shall be mounted on the side of the bumper in the rearward position.

### **SIDE AND INTERSECTOR WARNING SWITCH**

The side and intersector warning lights shall be controlled by a rocker switch on the switch panel. This switch shall be clearly labeled for identification.

### **SIREN CONTROL HEAD**

A Whelen 295HFS2 electronic siren control head with remote amplifier shall be provided and flush mounted in the switch panel with a location specific to the customer's needs. The siren shall feature 200-watt output, hands free mode and shall be in "standby" mode awaiting instruction. The siren shall offer radio broadcast, public address, wail, yelp, or piercer tones and hands free operation which shall allow the operator to turn the siren on and off from the horn ring if a horn/siren selector switch option is also selected.

### **STEERING WHEEL HORN BUTTON SELECTOR SWITCH**

A rocker switch shall be installed in the switch panel between the driver and officer to allow control of either the electric horn or the air horn from the steering wheel horn button.

### **AIR HORN AUXILIARY ACTIVATION**

The air horn activation shall be accomplished by a black momentary push button on the switch panel. An air horn activation circuit shall be provided to the chassis harness pump panel harness connector.

## **BACK-UP ALARM**

An ECCO model 575 backup alarm shall be installed at the rear of the chassis with an output level of 107 dB. The alarm shall automatically activate when the transmission is placed in reverse.

## **INSTRUMENTATION**

An ergonomically designed instrument panel shall be provided. Each gauge shall be backlit with LED lamps. Stepper motor movements shall drive all gauges. The instrumentation system shall be multiplexed and shall receive ABS, engine, and transmission information over the J1939 data bus to reduce redundant sensors and wiring.

A twenty eight (28) icon lightbar message center with integral LCD odometer/trip odometer shall be included. The odometer shall display up to 999,999.9 miles. The trip odometer shall display 9,999.9 miles. The LCD message center screen shall be capable of custom configuration by the users for displaying certain vehicle status and diagnostic functions.

The instrument panel shall contain the following gauges:

One (1) three-movement gauge displaying vehicle speed, fuel level, and Diesel Exhaust Fluid (DEF) level. The primary scale on the speedometer shall read from 0 to 100 MPH, and the secondary scale on the speedometer shall read from 0 to 160 KM/H. The scale on the fuel and DEF level gauges shall read from empty to full as a fraction of full tank capacity. Red indicator lights in the gauge and an audible alarm shall indicate low fuel or low DEF at 1/8<sup>th</sup> tank level.

One (1) three-movement gauge displaying engine RPM, and primary and secondary air system pressures shall be included. The scale on the tachometer shall read from 0 to 3000 RPM. The scale on the air pressure gauges shall read from 0 to 150 pounds per square inch (PSI) with a red line zone indicating critical levels of air pressure. Red indicator lights in the gauge and an audible alarm shall indicate low air pressure.

One (1) four-movement gauge displaying engine oil pressure, coolant temperature, voltmeter, and transmission temperature shall be included. The scale on the engine oil pressure gauge shall read from 0 to 100 pounds PSI with a red line zone indicating critical levels of oil pressure. A red indicator light in the gauge and audible alarm shall indicate low engine oil pressure. The scale on the coolant temperature gauge shall read from 100 to 250 degrees Fahrenheit (°F) with a red line zone indicating critical coolant temperatures. A red indicator light in the gauge and audible alarm shall indicate high coolant temperature. The scale on the voltmeter shall read from 9 to 18 volts with a red line zone indicating critical levels of battery voltage. A red indicator light in the gauge and an audible alarm shall indicate high or low system voltage. The low voltage alarm shall indicate when the system voltage has dropped below 11.8 volts for more than 120 seconds in accordance with the requirements of NFPA 1901. The scale on the transmission temperature gauge shall read from 100 to 300 degrees °F with a red line zone indicating critical temperatures. A red indicator light in the gauge and an audible alarm shall indicate a high transmission temperature.

The light bar portion of the message center shall include twenty-eight (28) LED backlit indicators. The lightbar shall be split with fourteen (14) indicators on each side of the LCD message screen. The lightbar shall contain the following indicators and produce the following audible alarms when supplied in conjunction with applicable configurations:

### **RED INDICATORS**

Stop Engine - indicates critical engine fault  
Air Filter Restricted - indicates excessive engine air intake restriction  
Park Brake - indicates parking brake is set  
Seat Belt - indicates a seat is occupied and corresponding seat belt remains unfastened  
Low Coolant - indicates critically low engine coolant  
Cab Tilt Lock - indicates the cab tilt system locks are not engaged.

### **AMBER INDICATORS**

Malfunction Indicator Lamp (MIL) - indicates an engine emission control system fault  
Check Engine - indicates engine fault  
Check Transmission - indicates transmission fault  
Anti-Lock Brake System (ABS) - indicates anti-lock brake system fault  
High exhaust system temperature – indicates elevated exhaust temperatures  
Water in Fuel - indicates presence of water in fuel filter  
Wait to Start - indicates active engine air preheat cycle  
Windshield Washer Fluid – indicates washer fluid is low  
DPF restriction - indicates a restriction of the diesel particulate filter  
Regen Inhibit-indicates regeneration of the DPF has been inhibited by the operator  
Range Inhibit - indicates a transmission operation is prevented and requested shift request may not occur.  
SRS - indicates a problem in the supplemental restraint system  
Check Message - indicates a vehicle status or diagnostic message on the LCD display requiring attention.

### **GREEN INDICATORS**

Left and Right turn signal indicators  
ATC - indicates low wheel traction for automatic traction control equipped vehicles, also indicates mud/snow mode is active for ATC system  
High Idle - indicates engine high idle is active.  
Cruise Control - indicates cruise control is enabled  
OK to Pump - indicates the pump is engaged and conditions have been met for pump operations  
Pump Engaged - indicates the pump transmission is currently in pump gear  
Auxiliary Brake - indicates secondary braking device is active

### **BLUE INDICATORS**

High Beam indicator

### **AUDIBLE ALARMS**

Air Filter Restriction  
Cab Tilt Lock  
Check Engine

Check Transmission  
Open Door/Compartment  
High Coolant Temperature  
High or Low System Voltage  
High Transmission Temperature  
Low Air Pressure  
Low Coolant Level  
Low DEF Level  
Low Engine Oil Pressure  
Low Fuel  
Seatbelt Indicator  
Stop Engine  
Water in Fuel  
Extended Left/Right Turn Signal On  
ABS System Fault

### **BACKLIGHTING COLOR**

The instrumentation gauges and the switch panel legends shall be backlit using red LED backlighting.

### **COMMUNICATION ANTENNA**

An antenna base, for use with an NMO type antenna, shall be mounted on the left hand front corner of the cab roof so not to interfere with light bars or other roof mounted equipment installed by chassis builder. The antenna base shall be an Antenex model MABVT8 made for either a 0.38 inch or 0.75 inch receiving hole in the antenna and shall include 17 foot of RG58 A/U cable with no connector at the radio end of the cable. The antenna base design provides the most corrosion resistance and best power transfer available from a high temper all brass construction and gold plated contact design. The antenna base shall be chassis builder supplied.

### **COMMUNICATION ANTENNA CABLE ROUTING**

The antenna cable shall be routed from the antenna base mounted on the roof to the area inside the center rocker switch console.

### **CAB EXTERIOR PROTECTION**

The cab face shall have a removable plastic film installed over the painted surfaces to protect the paint finish during transport to the body manufacturer.

### **FIRE EXTINGUISHER**

A 2.50 pound D.O.T approved fire extinguisher with BC rating shall be shipped loose with the cab.

### **ROAD SAFETY KIT**

The cab and chassis shall include one (1) emergency road safety triangle kit.

### **DOOR KEYS**

The cab and chassis shall include a total of four (4) door keys for the manual door locks.

## **WARRANTY**

Purchaser shall receive a Custom Chassis Two (2) Years or 36,000 Miles limited warranty in accordance with, and subject to, warranty certificate RFW0102. The warranty certificate is incorporated by reference into this proposal, and included with this proposal or available upon request.

## **CHASSIS OPERATION MANUAL**

There shall be two (2) digital copies of the chassis operation manual provided with the chassis. The digital data shall include a parts list specific to the chassis model.

## **ENGINE AND TRANSMISSION OPERATION MANUALS**

The following manuals specific to the engine and transmission models ordered will be included with the chassis in the ship loose items:

- (1) Hard copy of the Engine Operation and Maintenance manual with digital copy
- (1) Digital copy of the Transmission Operator's manual
- (1) Digital copy of the Engine Owner's manual

## **CAB/CHASSIS AS BUILT WIRING DIAGRAMS**

The cab and chassis shall include two (2) digital copies of wiring schematics and option wiring diagrams.

## **SALES TERMS**

The sale of the chassis shall be governed by the terms contained on the Sales Terms – Acceptance of Purchase Order document, a copy of which is attached to this option.

## **DRIVELINE LAYOUT CONFIRMATION**

During the design phase of the chassis the Spartan Chassis driveline engineer shall submit the driveline layout to an OEM engineer to review the chassis design for any potential problems integrating the OEM body to the chassis. The OEM engineer shall provide approval to the driveline engineer prior to driveline bills of materials being released.

## **3D CHASSIS LAYOUT**

A three dimensional (3D) layout of the chassis shall be provided to the OEM engineering group for use in designing the OEM body.

The layout shall include the following:



Cab  
Frame  
Bumper  
Front Towing Device  
Front Axle  
Front Suspension  
Cab Tilt  
Exhaust  
Air Drier  
Battery Boxes & Covers  
Rear Axle  
Rear Suspension  
Fuel Tank