

2000 GALLON TANKER #2535



TECHNICAL SPECIFICATIONS

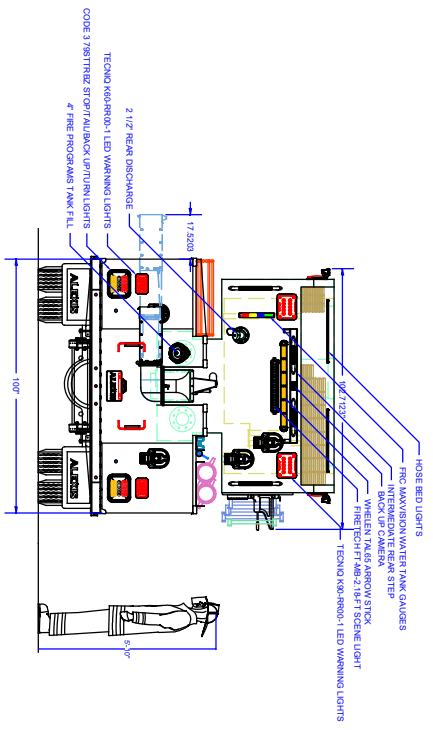
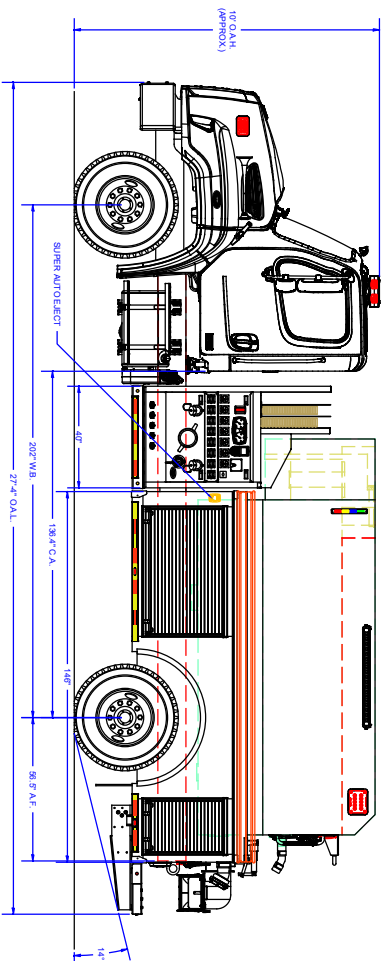
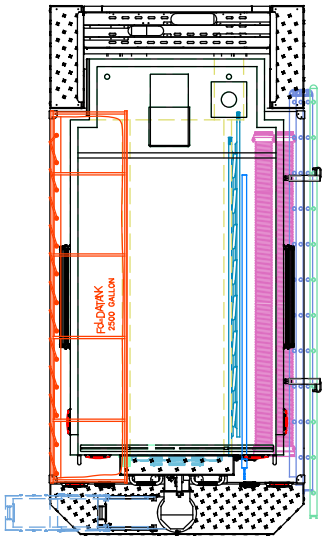
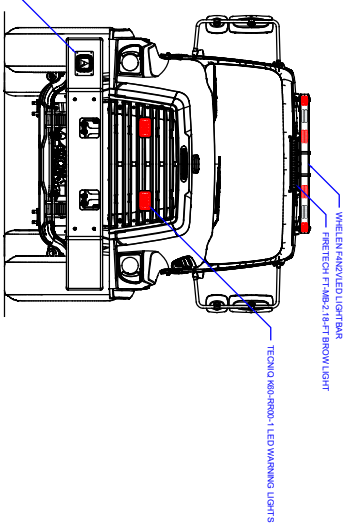
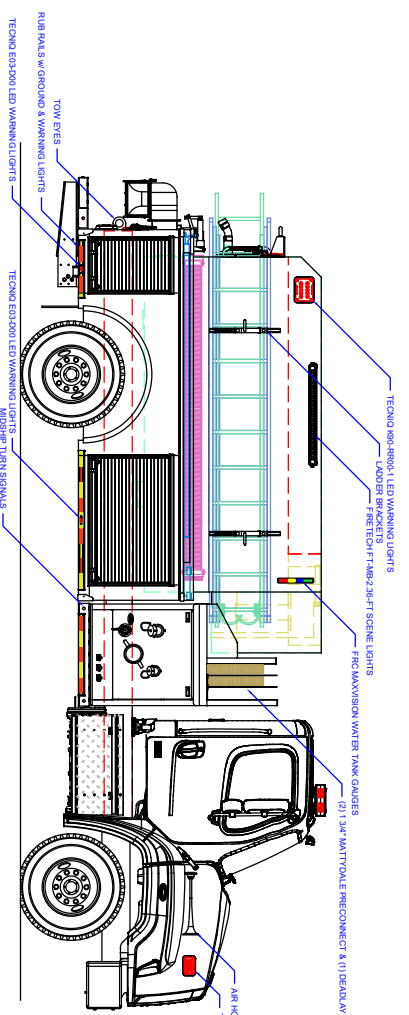
- Freightliner 114SD 2-Door Chassis
- Cummins 450 HP L9 Engine
- Allison 3000 EVS Automatic Transmission
- Heavy Duty Stainless Steel Body and Stainless Steel Subframe
- Stainless Steel Intermediate Pump Module
- Hale DSD 1250 GPM Single Stage Pump
- Trident Air Prime System
- FRC Pump Boss Max Pressure Governor
- FRC Tankvision Water Tank Level Gauge with Three (3) FRC MaxVision Strip Lites
- Two (2) 6" Intakes, One (1) Each Side
- One (1) 2½" Gated Intake, Each Side
- Two (2) 2½" Discharges, Left Side and One (1) 2½" Discharge, Right Side
- One (1) 3" Discharge, Right Side
- One (1) 2½" Discharge, Rear Left Side
- Two (2) 1½" Mattydale Preconnects with Deadlay Hose Bed
- ROM Painted Roll Up Doors
- Fol-Da-Tank Storage for 2500 Gallon Fol-Da-Tank, Left Side Compartment Top
- Ladder Storage Rack, Right Side
- Suction Hose Storage, Right Side Compartment Top
- 2000 Gallon Poly Wetside Tank with Wetside Hose Bed & Front Fill Tower
- One (1) 4" FirePrograms Tank Fill, Rear Left Side Adapted to 5" Storz with 5" x 2½" Reducer
- One (1) 10" Newton Stainless Steel Electric Swivel Dump with 36" Manual Extension, Rear
- 12 Volt Electrical System with NFPA Compliant Warning Light Package
- Progressive Dynamics Battery Charger with Vair Compressor, L1 Compartment
- Kussmaul 20 Amp Super Auto-Eject 120V Shoreline Connection, Left Front Body Post
- Tecniq LED Warning Light Package with Rear Whelen Arrow Stick
- Whelen 200W Siren and 100W Speaker
- One (1) Firetech HiViz 40" LED Scene Light Bar, Each Side
- One (1) Firetech HiViz 21" LED Scene Light Bar, Rear
- One (1) FireTech HiViz 21" LED Brow Light
- Customer Supplied Ladders – One (1) 10' Attic Ladder, One (1) 14' Roof Ladder with Hooks, One (1) 30' 3-Section Ladder
- Two (2) 10' Lengths of 6" Suction Hose
- 10' Overall Height
- 27'-4" Overall Length
- 202" Wheelbase
- 136.4" Cab to Axle
- 16,000 FAWR
- 31,000 RAWR
- 47,000 GVWR



CUSTOMER APPROVAL SIGNATURE: _____ DATE: _____

ALEXIS FIRE PROT DIST-0003

IN THE EVENT THERE ARE DISCREPANCIES BETWEEN THE DRAWING AND THE SPECIFICATIONS THE SPECIFICATIONS SHALL PREVAIL.



COMPARTMENT DIMENSIONS

REV	DESCRIPTION	DATE	BY	CHKD	APP	REVISION HISTORY
01	SALES UPDATES	4/23/24	CS	CS		Chassis: FREIGHTLINER 114SD 2DR
02	SALES UPDATES	5/20/24	WC	WC		Tank Capacity: 2000
						Pump Make: DSG
						Pump GPM: 1250

COMP #	DOOR OPENING SIZES	COMP #	DOOR OPENING SIZES
L1 & R1	49" WIDE X 27" HIGH X 28" DEEP	L2 & R2	19" WIDE X 27" HIGH X 28" DEEP

ALEXIS FIRE EQUIPMENT CO.
 P.O. BOX 549, ALEXIS, ILLINOIS 61412

ALEXIS FIRE PROT. DIST.
 ALEXIS, IL

UNLESS OTHERWISE SPECIFIED, DIMENSIONS ARE IN MILLIMETERS. DIMENSIONS ARE NOT TO SCALE. THE COPY OF THIS DRAWING AND DESIGN ARE THE PROPERTY OF ALEXIS FIRE EQUIPMENT CO. CONTRACT # _____ SHEET 1 OF 2